



SC2 FUNCTIONS

SC3 ADVANTAGES

SC4 - SC13 FA SERIES

SC14 - SC15 BA SERIES

SC16 - SC20 F SERIES

SC21 SF SERIES

SC22 - SC24 F SERIES

SC25 - SC27 B SERIES

SC28 ADVANTAGES

SC29 - SC35 T SERIES

SC36 F SERIES

SC37 F/H SERIES

SC38 S SERIES

MERCHANDISE STAND

FA/F/TH Series Handleset



F360/FA360/TH60

Entrance Lock

Deadbolt thrown or retracted by key from outside or by inside turn unit. Latch retracted by thumbpiece from outside or by inside knob/lever.



F393/FA393/TH193

Outside and Inside Dummy Trim

For use as a door pull or as dummy trim on inactive leaf of pair of doors.

FA/F/TH Series Levers & Knobs



F51/FA51

Entrance Lock

Unlocked by key from outside when outer knob/lever is locked by turn-button in inside knob/lever. Inside knob/lever always unlocked.



F51/FA51

Entrance Lock

Unlocked by key from outside when outer knob/lever is locked by turn-button in inside knob/lever. Inside knob/lever always unlocked.



T54

Entrance Lock

Unlocked by key from outside when outer knob/lever is locked by turn-button in inside knob/lever. Inside knob/lever always locked.



T54

Entrance Lock

Unlocked by key from outside when outer knob/lever is locked by turn-button in inside knob/lever. Inside knob/lever always locked.



F40/FA40

Bath/Bedroom Privacy Lock

Push-button locking. Can be opened from outside with small circular tool. Turning inside knob/lever releases button.



F40/FA40

Bath/Bedroom Privacy Lock

Push-button locking. Can be opened from outside with small circular tool. Turning inside knob/lever releases button.



F10/FA10/T10

Passage Latch

Both knobs/levers always unlocked.



F10/FA10/T10

Passage Latch

Both knobs/levers always unlocked.



T40

Bed/Bath

Turn/Push-Button locking. Turning inside button releases knob. Can be opened from outside using outside turn mechanism



T40

Bed/Bath

Turn/Push-Button locking. Turning inside button releases knob. Can be opened from outside using outside turn mechanism

BA/B/TD Series Bored Deadbolts



B180

One-Sided Deadbolt

Deadbolt thrown or retracted from interior side only.



BA360/B360/TD60

Single Cylinder Deadbolt Lock

Deadbolt thrown or retracted by key from outside or by inside turn unit. Bolt automatically deadlocks when fully thrown.



BA362/B362/TD62

Double Cylinder Deadbolt Lock*

Deadbolt thrown or retracted by key either side. Bolt automatically deadlocks when fully thrown.

ADVANTAGES



Lifetime Satisfaction

Flawless performance and engineering with lifetime limited finish and mechanical warranties.



Adjustable Thru-Bolt

Through-bolt post can move up and down 1½". Exclusive design allows easy replacement of almost all existing handlesets.



Triple-Option® Universal Latches

All latches include square corner, radius and circular drive-in

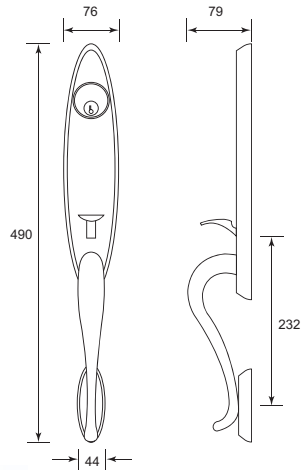
- Built to stand up to object attacks, picking and kick-ins
- Handlesets are 100% forged brass construction for superior strength
- Engineered for tough, reliable performance
- Guaranteed to fit standard door preps
- ½" throw deadlatch has a deadlocking plunger that prevent latch "force-back"
- Pick-resistance T-pins make picking virtually impossible
- Nickel silver keys and cylinder pins provide strength, durability and smooth trouble-free operation

Handleset / Gripset - Ashcroft

SPECIFICATIONS:

- Application : Residential single and multi-family doors.
- Certifications : ANSI Grade 2.
- Exposed Trim : Handlesets are solid forged brass; wrought brass trim rings.
- Keying : Schlage C Keyway with nickel silver keys. Locks are keyed 5-pin.

- Warranty : Lifetime mechanical warranty.



ENTRANCE U/Price: 2376.00

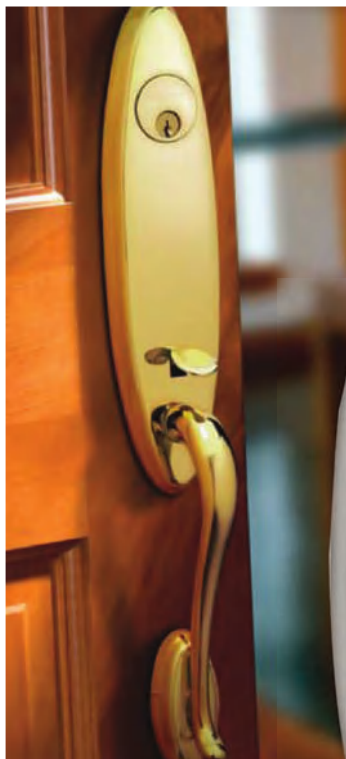
DUMMY U/Price: 1980.00

FA360 ASH 619
AND

FA360 ASH 505
AND 605

FA360 ASH 609
AND

Handleset / Gripset - Venice



SPECIFICATIONS:

- Application : Residential single and multi-family doors.
- Certifications : ANSI Grade 2.
- Exposed Trim : Handlesets are solid forged brass; wrought brass trim rings.
- Keying : Schlage C Keyway with nickel silver keys. Locks are keyed 5-pin.

- Warranty : Lifetime mechanical warranty.



ENTRANCE U/Price: 2580.00

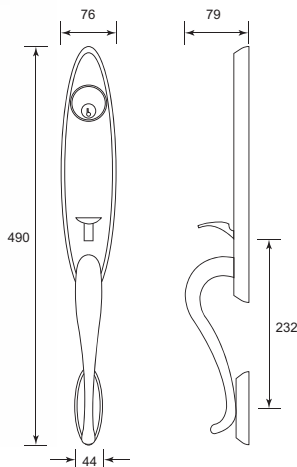
DUMMY U/Price: 2184.00



FA360 VEN 505
AND 605

FA360 VEN 609
AND 619

FA360 VEN 619
AND 609

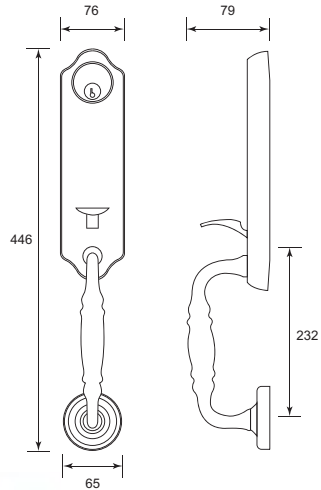


Handleset / Gripset - Chantilly

SPECIFICATIONS:

- Application : Residential single and multi-family doors.
- Certifications : ANSI Grade 2.
- Exposed Trim : Handlesets are solid forged brass; wrought brass trim rings.
- Keying : Schlage C Keyway with nickel silver keys. Locks are keyed 5-pin.

- Warranty : Lifetime mechanical warranty.



ENTRANCE U/Price: 2376.00

DUMMY U/Price: 1980.00

FA360 CHT 619
AND

FA360 CHT 505
AND 605

FA360 CHT 609
AND

Handleset / Gripset - Florence



SPECIFICATIONS:

- Application : Residential single and multi-family doors.
- Certifications : ANSI Grade 2.
- Exposed Trim : Handlesets are solid forged brass; wrought brass trim rings.
- Keying : Schlage C Keyway with nickel silver keys. Locks are keyed 5-pin.

- Warranty : Lifetime mechanical warranty.



ENTRANCE U/Price: 2580.00

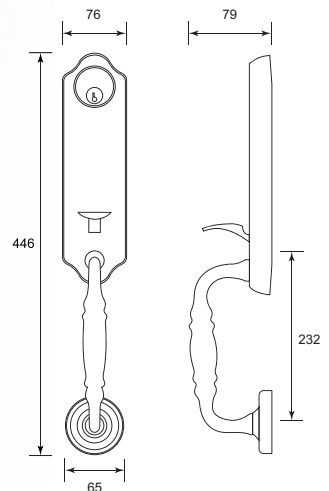
DUMMY U/Price: 2184.00



FA360 FLO 505
AND 605

FA360 FLO 609
AND

FA360 FLO 619
AND



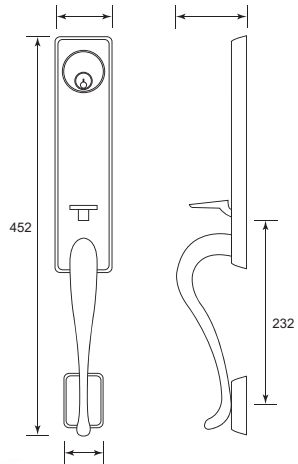
Handleset / Gripset - Kent



SPECIFICATIONS:

- Application : Residential single and multi-family doors.
- Certifications : ANSI Grade 2.
- Exposed Trim : Handlesets are solid forged brass; wrought brass trim rings.
- Keying : Schlage C Keyway with nickel silver keys. Locks are keyed 5-pin.

- Warranty : Lifetime mechanical warranty.



FA360 KNT 619
AND

FA360 KNT 505
AND 605

FA360 KNT 609
AND

ENTRANCE **U/Price: 2376.00**

DUMMY **U/Price: 1980.00**

Handleset / Gripset - Monaco



SPECIFICATIONS:

- Application : Residential single and multi-family doors.
- Certifications : ANSI Grade 2.
- Exposed Trim : Handlesets are solid forged brass; wrought brass trim rings.
- Keying : Schlage C Keyway with nickel silver keys.
- Locks are keyed 5-pin.

- Warranty : Lifetime mechanical warranty.



ENTRANCE U/Price: 2580.00

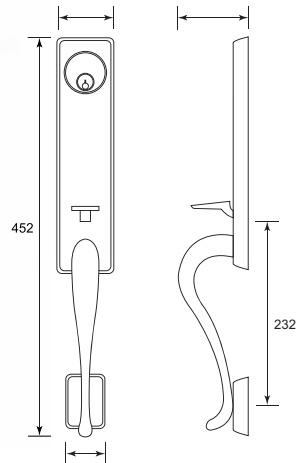
DUMMY U/Price: 2184.00



FA360 MON 505
AND 605

FA360 MON 609
AND

FA360 MON 619
AND



Handleset / Gripset - Sutton



SPECIFICATIONS:

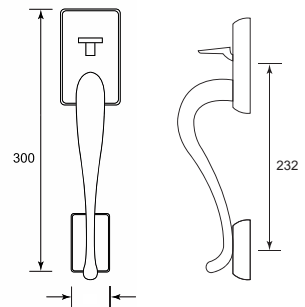
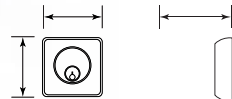
- Application : Residential single and multi-family doors.
- Certifications : ANSI Grade 2.
- Exposed Trim : Handlesets are solid forged brass; wrought brass trim rings.
- Keying : Schlage C Keyway with nickel silver keys. Locks are keyed 5-pin.

- Warranty : Lifetime mechanical warranty.



ENTRANCE U/Price: 2316.00

DUMMY U/Price: 1848.00



FA360 STN 505
AND 605

FA360 STN 609
AND

FA360 STN 619
AND

Handleset / Gripset - Monticello



SPECIFICATIONS:

- Application : Residential single and multi-family doors.
- Certifications : ANSI Grade 2.
- Exposed Trim : Handlesets are solid forged brass; wrought brass trim rings.
- Keying : Schlage C Keyway with nickel silver keys.
- Locks are keyed 5-pin.

- Warranty : Lifetime mechanical warranty.



ENTRANCE U/Price: 2316.00

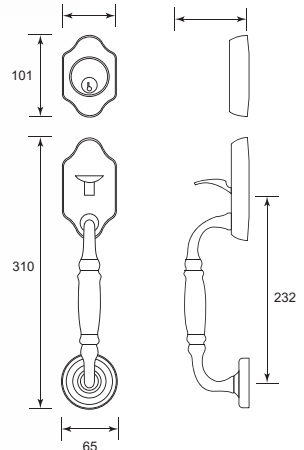
DUMMY U/Price: 1848.00



FA360 MNT 505
AND 605

FA360 MNT 609
AND

FA360 MNT 619
AND



Handleset / Gripset - Wakefield



SPECIFICATIONS:

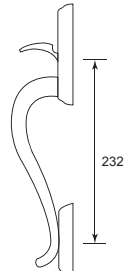
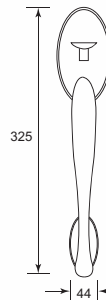
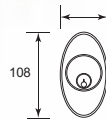
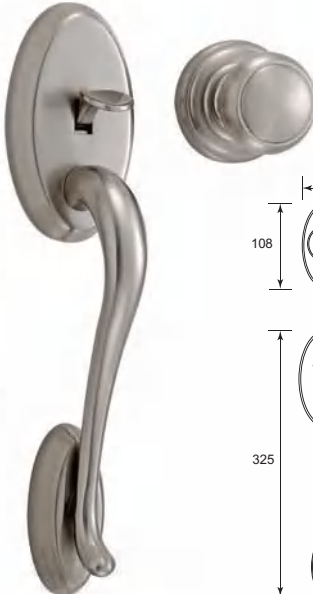
- Application : Residential single and multi-family doors.
- Certifications : ANSI Grade 2.
- Exposed Trim : Handlesets are solid forged brass; wrought brass trim rings.
- Keying : Schlage C Keyway with nickel silver keys. Locks are keyed 5-pin.

- Warranty : Lifetime mechanical warranty.



ENTRANCE U/Price: 2316.00

DUMMY U/Price: 1848.00



FA360 WKF 505
AND 605

FA360 WKF 609
AND

FA360 WKF 619
AND

Knobs - Andover



SPECIFICATIONS:

- Application : Residential single and multi-family doors.
- Certifications : ANSI Grade 2.
- Exposed Trim : Wrought brass.
- Keying : Schlage C Keyway with nickel silver keys.
Locks are keyed 5-pin.

- Warranty : Lifetime mechanical warranty.



FA51 AND 619



FA51 AND 505



FA51 AND 609

ENTRANCE - FA51

619 [U/Price: 516.00](#)

505 [U/Price: 462.00](#)

609 [U/Price: 468.00](#)

PRIVACY - FA40

619 [U/Price: 336.00](#)

505 [U/Price: 288.00](#)

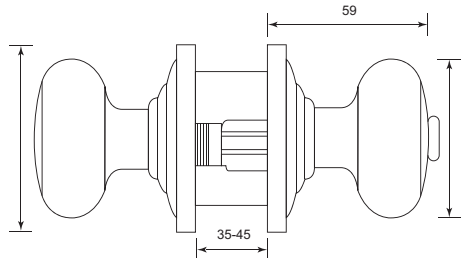
609 [U/Price: 324.00](#)

PASSAGE - FA10

619 [U/Price: 318.00](#)

505 [U/Price: 264.00](#)

609 [U/Price: 312.00](#)



Single Deadbolts

SPECIFICATIONS:

- Application : Residential single and multi-family doors.
 - Certifications : ANSI Grade 2.
 - Exposed Trim : Wrought brass or bronze
 - Keying : Schlage C Keyway with nickel silver keys.
- Locks are keyed 5-pin.

619 U/Price: 552.00

505 U/Price: 504.00

609 U/Price: 480.00

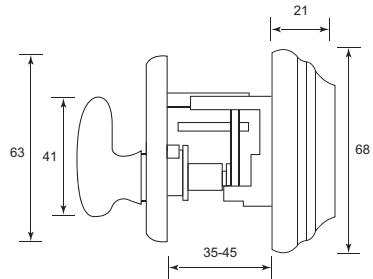
- Warranty : Lifetime mechanical warranty.



BA 360 619



BA 360 609



Double Deadbolts

SPECIFICATIONS:

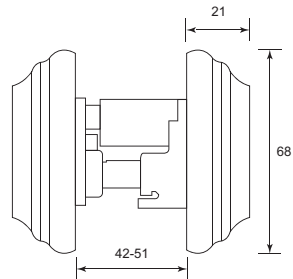
- Application : Residential single and multi-family doors.
- Certifications : ANSI Grade 2.
- Exposed Trim : Wrought brass or bronze.
- Keying : Schlage C Keyway with nickel silver keys.
- Locks are keyed 5-pin.

619 U/Price: 708.00

505 U/Price: 642.00

609 U/Price: 630.00

- Warranty : Lifetime mechanical warranty.



Handleset / Gripset - Bowman



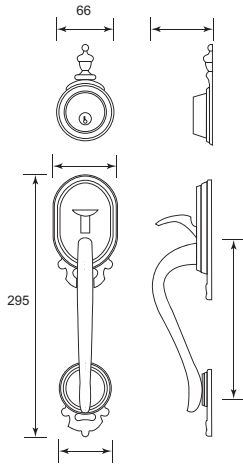
SPECIFICATIONS:

- Application : Residential single and multi-family doors.
- Certifications : ANSI Grade 2.
- Exposed Trim : Handlesets are solid forged brass; wrought brass trim rings with concealed security inserts. Inside trim: Wrought brass.
- Keying : Schlage C Keyway with nickel silver keys. Locks are keyed 5-pin.

- Warranty : Lifetime mechanical warranty.



F 360 BOW 609
GEO 609



F 360 BOW 505
GEO 605



ENTRANCE

605 U/Price: 2004.00

609 U/Price: 2004.00

DUMMY

605 U/Price: 1712.00

609 U/Price: 1712.00

Handleset / Gripset - Camelot



F 360
CAM 505
GEO 605

F 360
CAM 609
GEO

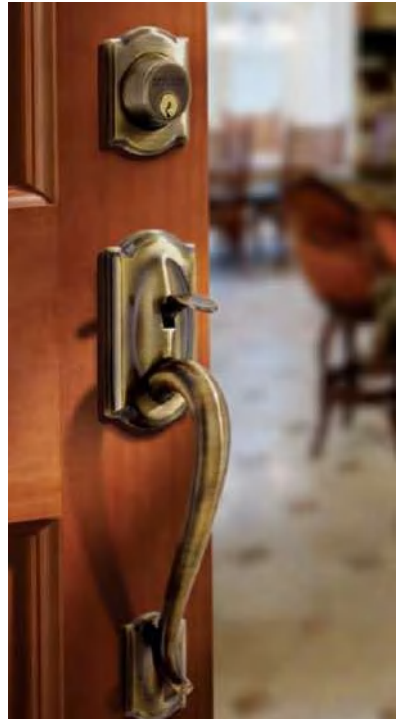
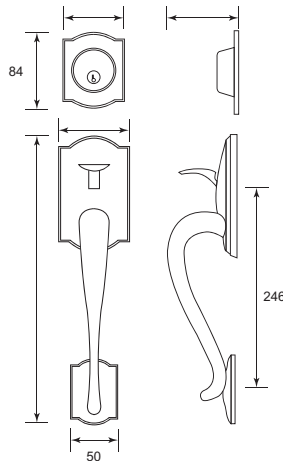
SPECIFICATIONS:

- Application : Residential single and multi-family doors.
- Certifications : ANSI Grade 2.
- Exposed Trim : Handlesets are solid forged brass; wrought brass trim rings with concealed security inserts. Inside trim: Wrought brass.
- Keying : Schlage C Keyway with nickel silver keys. Locks are keyed 5-pin.

- Warranty : Lifetime mechanical warranty.



F 360 CAM 619
GEO



ENTRANCE F SERIES

- 619 U/Price: 2004.00
- 605 U/Price: 2004.00
- 609 U/Price: 2004.00

DUMMY F SERIES

- 619 U/Price: 1712.00
- 605 U/Price: 1712.00
- 609 U/Price: 1712.00

Handleset / Gripset - Plymouth

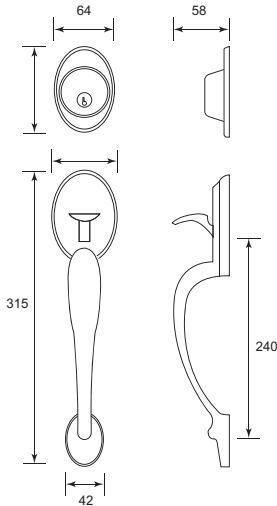


F 360 PLY 619
GEO



F 360
PLY 505
GEO 605

F 360
PLY 609
GEO



SPECIFICATIONS:

- Application : Residential single and multi-family doors.
- Certifications : ANSI Grade 2.
- Exposed Trim : Handlesets are solid forged brass; wrought brass trim rings with concealed security inserts. Inside trim: Wrought brass.
- Keying : Schlage C Keyway with nickel silver keys. Locks are keyed 5-pin.

- Warranty : Lifetime mechanical warranty.



ENTRANCE F SERIES

619 **U/Price: 2004.00**

605 **U/Price: 2004.00**

609 **U/Price: 2004.00**

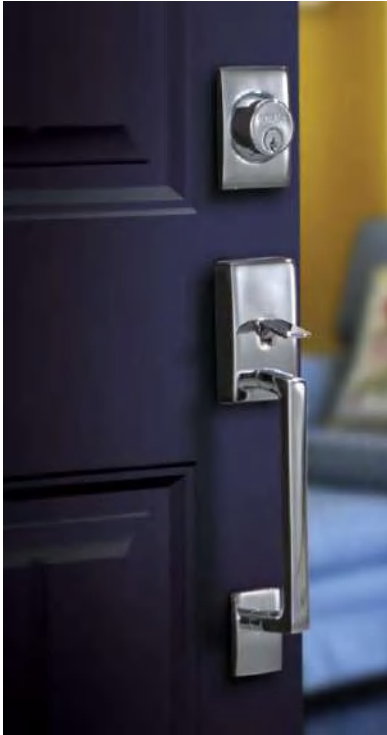
DUMMY F SERIES

619 **U/Price: 1712.00**

605 **U/Price: 1712.00**

609 **U/Price: 1712.00**

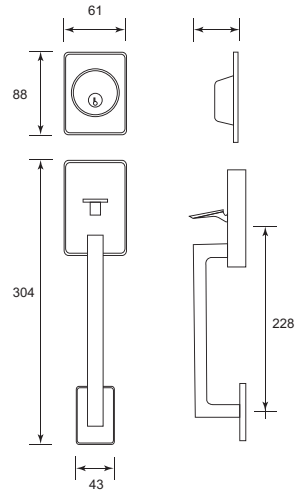
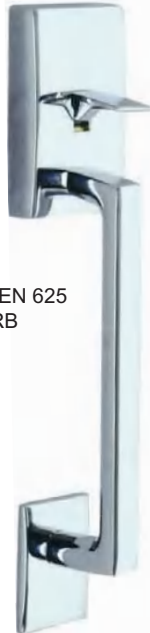
Handleset / Gripset - Century



SPECIFICATIONS:

- Application : Residential single and multi-family doors.
- Certifications : ANSI Grade 2.
- Exposed Trim : Handlesets are solid forged brass; wrought brass trim rings with concealed security inserts. Inside trim: Wrought brass.
- Keying : Schlage C Keyway with nickel silver keys. Locks are keyed 5-pin.

- Warranty : Lifetime mechanical warranty.



F 360 CEN 625
ORB

ENTRANCE

625 U/Price: 2004.00

DUMMY

625 U/Price: 1712.00

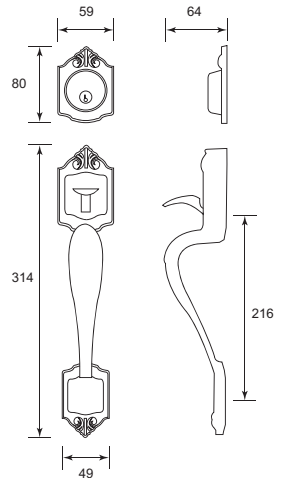
Handleset / Gripset - Parthenon



SPECIFICATIONS:

- Application : Residential single and multi-family doors.
- Certifications : ANSI Grade 2.
- Exposed Trim : Handlesets are solid forged brass; wrought brass trim rings with concealed security inserts. Inside trim: Wrought brass.
- Keying : Schlage C Keyway with nickel silver keys. Locks are keyed 5-pin.

- Warranty : Lifetime mechanical warranty.



F 360 PAR 609
GEO

ENTRANCE

609 U/Price: 2004.00

DUMMY

609 U/Price: 1712.00

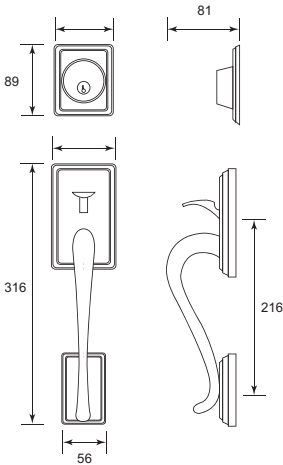
Handleset / Gripset - Addison



SPECIFICATIONS:

- Application : Residential single and multi-family doors.
- Certifications : ANSI Grade 2.
- Exposed Trim : Handlesets are solid forged brass; wrought brass trim rings with concealed security inserts. Inside trim: Wrought brass.
- Keying : Schlage C Keyway with nickel silver keys. Locks are keyed 5-pin.

- Warranty : Lifetime mechanical warranty.



F 360 ADD 505
GEO 605

U/Price: 2004.00

Knobs - Georgian



F51 GEO 605

F51 GEO 609

SPECIFICATIONS:

- Application : Residential single and multi-family doors.
- Certifications : ANSI Grade 2.
- Exposed Trim : Wrought brass.
- Keying : Schlage C Keyway with nickel silver keys.
Locks are keyed 5-pin.

- Warranty : Lifetime mechanical warranty.



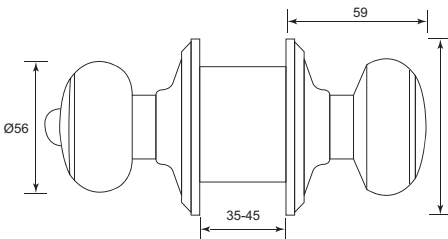
Keyed Entry F51 GEO 619



Privacy F40 GEO 619



Passage F10 GEO 619



ENTRANCE F SERIES

PRIVACY F SERIES

PASSAGE F SERIES

619 U/Price: 396.00

619 U/Price: 278.00

619 U/Price: 251.00

605 U/Price: 384.00

605 U/Price: 249.00

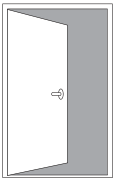
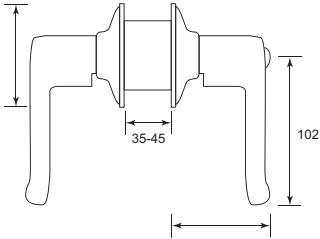
605 U/Price: 212.00

609 U/Price: 394.00

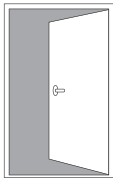
609 U/Price: 268.00

609 U/Price: 249.00

Leverset - Flair



Left hand



Right hand

SPECIFICATIONS:

- Application : Residential single and multi-family doors.
- Certifications : ANSI Grade 2.
- Exposed Trim : Lever are zinc based plated to match finishes indicated.
- Keying : Schlage C Keyway with nickel silver keys. Locks are keyed 5-pin.

- Warranty : Lifetime mechanical warranty.



F51 FLA 605 RH

ENTRANCE - F51

605 U/Price: 675.00

609 U/Price: 695.00

PRIVACY - F40

605 U/Price: 356.00

609 U/Price: 365.00

PASSAGE - F10

605 U/Price: 334.00

609 U/Price: 334.00



F51 FLA 609 RH

Leverset - Accent



SPECIFICATIONS:

- Application : Residential single and multi-family doors.
- Certifications : ANSI Grade 2.
- Exposed Trim : Lever are zinc based plated to match finishes indicated.
- Keying : Schlage C Keyway with nickel silver keys. Locks are keyed 5-pin.

- Warranty : Lifetime mechanical warranty.



ENTRANCE - F51

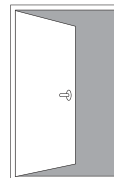
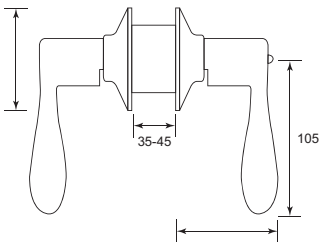
619 U/Price: 736.00

PRIVACY - F40

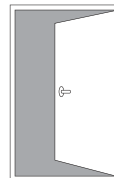
619 U/Price: 392.00

PASSAGE - F10

619 U/Price: 370.00



Left hand



Right hand

Keyless Deadbolts



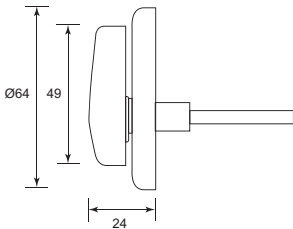
SPECIFICATIONS:

- Application : Residential single and multi-family doors.
- Certifications : ANSI Grade 2.
- Exposed Trim : Wrought brass or bronze.

- Warranty : Lifetime mechanical warranty.



B 180 626



B 180 605



B 180 609

626 U/Price: 238.00

605 U/Price: 204.00

609 U/Price: 225.00

Single Deadbolts



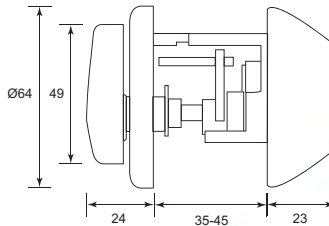
B 360 619



B 360 605



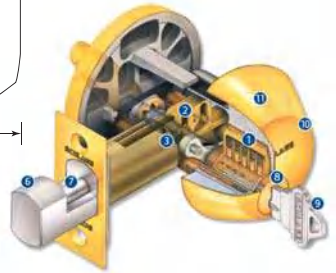
B 360 609



SPECIFICATIONS:

- Application : Residential single and multi-family doors.
- Certifications : ANSI Grade 2.
- Exposed Trim : Wrought brass or bronze.
- Keying : Schlage C Keyway with nickel silver keys.
- Locks are keyed 5-pin.

- Warranty : Lifetime mechanical warranty.



B SERIES

619 U/Price: 436.00

605 U/Price: 407.00

609 U/Price: 425.00

ADVANTAGES:

1. Solid brass 5- or 6-pin tumble cylinder provides durability and long-lasting operation
3. Attached driver bar ensures easy installation
against forced entry
5. Optional dust pocket insert available
8. Brass key cylinder provides maximum protection against key cylinder attack
9. Nickel silver Schlage key and cylinder pins deliver strength, durability and smooth, long-lasting operation
10. Solid one-piece design of exterior housing provides maximum protection against hammer and crow bar prying attacks
11. Concealed spin ring resists wrenching or prying

Double Deadbolts



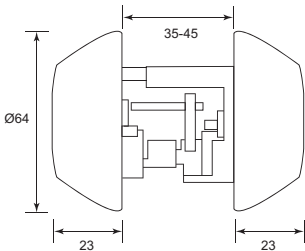
SPECIFICATIONS:

- Application : Residential single and multi-family doors.
- Certifications : ANSI Grade 2.
- Exposed Trim : Wrought brass or bronze.
- Keying : Schlage C Keyway with nickel silver keys. Locks are keyed 5-pin.

- Warranty : Lifetime mechanical warranty.



B 362 619



B SERIES

619 U/Price: 581.00

605 U/Price: 555.00

609 U/Price: 579.00

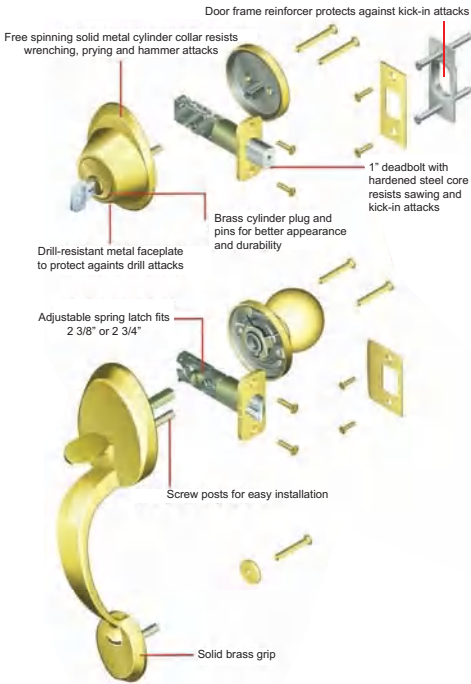


B 362 605

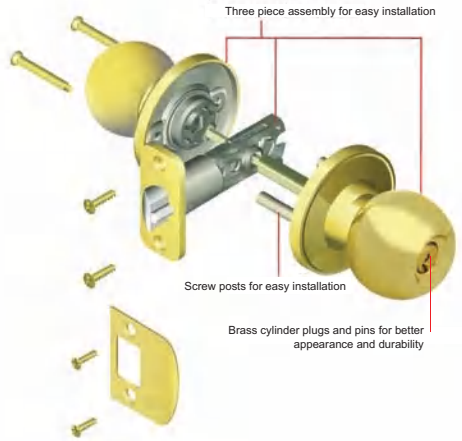


B 362 609

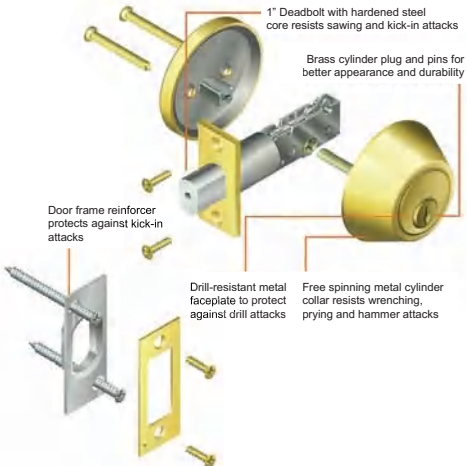
Handleset



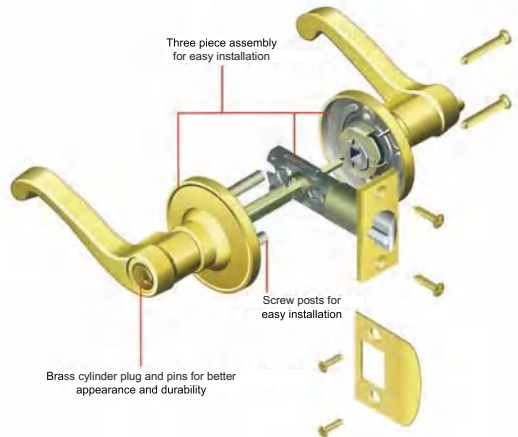
Knobs



Deadbolts



Levers



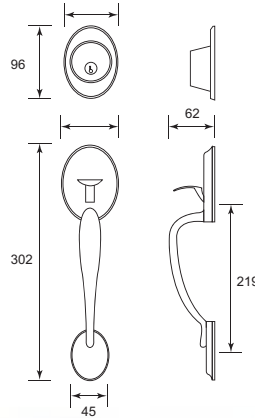
Handleset / Gripset - Barcelona



SPECIFICATIONS:

- Application : Residential single and multi-family doors.
- Certifications : ANSI Grade 3.
- Exposed Trim : Handlesets are solid forged brass; wrought brass trim rings.
- Keying : Schlage C Keyway. Locks are keyed 5-pin.

- Warranty : 25 year mechanical warranty.



619 U/Price: 744.00

605 U/Price: 708.00

609 U/Price: 762.00



STH60 BAR X CNA 619

STH60 BAR X CNA 605

STH60 BAR X CNA 609

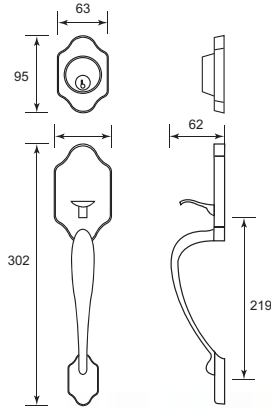
Handleset / Gripset - Paris



SPECIFICATIONS:

- Application : Residential single and multi-family doors.
- Certifications : ANSI Grade 3.
- Exposed Trim : Handlesets are solid forged brass; wrought brass trim rings.
- Keying : Schlage C Keyway. Locks are keyed 5-pin.

- Warranty : 25 year mechanical warranty.



619 U/Price: 756.00

605 U/Price: 714.00

609 U/Price: 768.00



STH60 PRS X CNA 619

STH60 PRS X CNA 605

STH60 PRS X CNA 609

Tubular Knobset - Corona

SPECIFICATIONS:

- Application : Residential single and multi-family doors.
- Certifications : ANSI Grade 3.
- Exposed Trim : Wrought brass or bronze.
- Keying : Schlage C Keyway. Locks are keyed 5-pin.

- Warranty : 25 year mechanical warranty.



KEYED ENTRANCE ST54 CNA 630

ENTRANCE

630 U/Price: 114.00

605 U/Price: 144.00

609 U/Price: 156.00

PRIVACY

630 U/Price: 78.00

605 U/Price: 102.00

609 U/Price: 114.00

PASSAGE

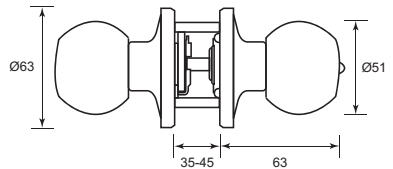
630 U/Price: 66.00

605 U/Price: 90.00

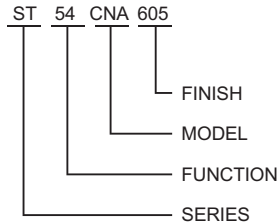
609 U/Price: 102.00



PRIVACY ST40 CNA 605



PASSAGE ST10 CNA 609

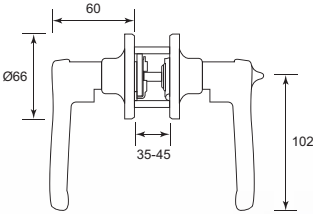


FUNCTION & FINISH

ENTRANCE	54
PRIVACY	40
PASSAGE	10

630	S/S
605	P/B
609	A/B

Tubular Left/Right Handed Lever - LaSalle



SPECIFICATIONS:

- Application : Residential single and multi-family doors.
- Certifications : ANSI Grade 3.
- Exposed Trim : Wrought brass or bronze.
- Levers are zinc based plated to match finishes indicated.
- Keying : Schlage C Keyway. Locks are keyed 5-pin.

- Warranty : 25 year mechanical warranty.



Keyed ENTRANCE ST54 LAS 619 RH

ENTRANCE- LH/RH

- 619 U/Price: 228.00
- 605 U/Price: 234.00
- 609 U/Price: 240.00

PRIVACY- LH/RH

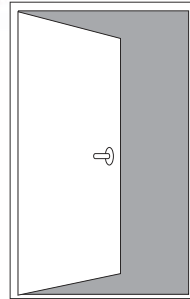
- 619 U/Price: 180.00
- 605 U/Price: 186.00
- 609 U/Price: 192.00

PASSAGE- LH/RH

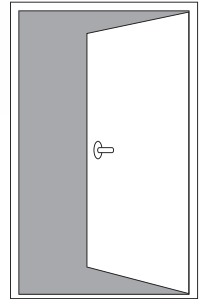
- 619 U/Price: 168.00
- 605 U/Price: 174.00
- 609 U/Price: 186.00



PRIVACY ST40 LAS 605 RH



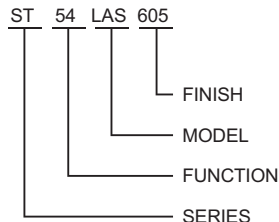
Left hand



Right hand



PASSAGE ST10 LAS 609 RH



FUNCTION & FINISH

ENTRANCE	54
PRIVACY	40
PASSAGE	10

619 S/N
605 P/B
609 A/B

Tubular Lever - Torino

SPECIFICATIONS:

- Application : Residential single and multi-family doors.
- Certifications : ANSI Grade 3.
- Exposed Trim : Wrought brass or bronze.
- Levers are zinc based plated to match finishes indicated.
- Keying : Schlage C Keyway. Locks are keyed 5-pin.

- Warranty : 25 year mechanical warranty.



Keyed ENTRANCE ST54 TOR 619

ENTRANCE

619 U/Price: 222.00

605 U/Price: 216.00

609 U/Price: 228.00

PRIVACY

619 U/Price: 180.00

605 U/Price: 186.00

609 U/Price: 198.00

PASSAGE

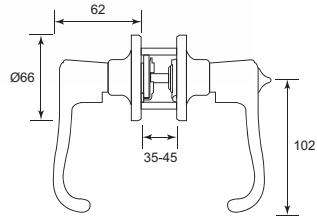
619 U/Price: 174.00

605 U/Price: 168.00

609 U/Price: 186.00



PRIVACY ST40 TOR 605



PASSAGE ST10 TOR 609

ST 54 TOR 605

FINISH

MODEL

FUNCTION

SERIES

FUNCTION & FINISH

ENTRANCE	54
PRIVACY	40
PASSAGE	10

619 S/N
605 P/B
609 A/B

Tubular Lever - Dover

ENTRANCE

619 U/Price: 228.00

605 U/Price: 228.00

609 U/Price: 240.00

SPECIFICATIONS:

- Application : Residential single and multi-family doors.
- Certifications : ANSI Grade 3.
- Exposed Trim : Wrought brass or bronze.
- Levers are zinc based plated to match finishes indicated.
- Keying : Schlage C Keyway. Locks are keyed 5-pin.

- Warranty : 25 year mechanical warranty.



Keyed ENTRANCE ST54 DOV 619

PRIVACY

619 U/Price: 180.00

605 U/Price: 168.00

609 U/Price: 186.00

PASSAGE

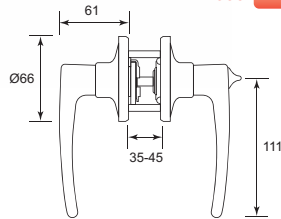
619 U/Price: 174.00

605 U/Price: 164.00

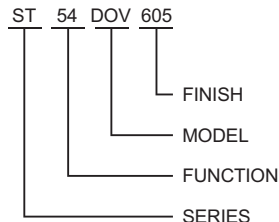
609 U/Price: 168.00



PRIVACY ST40 DOV 605



PASSAGE ST10 DOV 609



FUNCTION & FINISH

ENTRANCE	54
PRIVACY	40
PASSAGE	10

619 S/N
605 P/B
609 A/B

Single Deadbolt



STD60 630

SPECIFICATIONS:

- Application : Residential single and multi-family doors.
- Certifications : ANSI Grade 3.
- Exposed Trim : Wrought brass or bronze.
- Keying : Schlage C Keyway. Locks are keyed 5-pin.

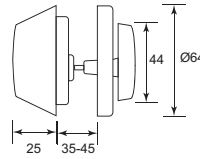
- Warranty : 25 year mechanical warranty.



STD60 605



STD60 609



SINGLE

630 U/Price: 156.00

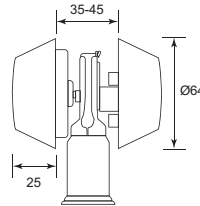
605 U/Price: 162.00

609 U/Price: 168.00

Double Deadbolt



STD62 630



DOUBLE

630 U/Price: 186.00

605 U/Price: 192.00

609 U/Price: 198.00

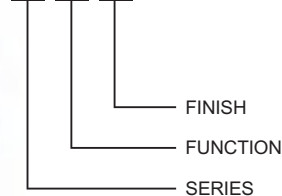


STD62 605



STD62 609

STD 60 605



FUNCTION & FINISH

SINGLE	60
DOUBLE	62

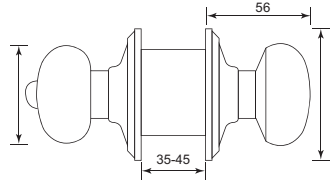
630 S/S
605 P/B
609 A/B

Knobset



F 51
PLY 605

U/Price: 370.00



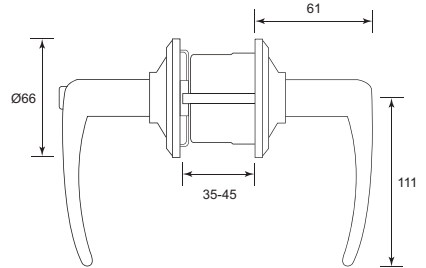
- Backset : Universal latch standard, fits either

Leverset



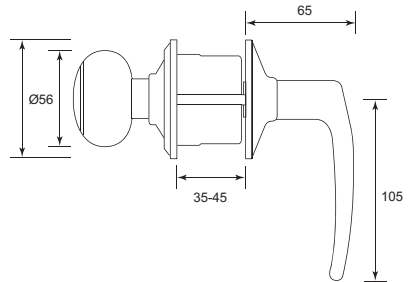
F 40 JAZZ 605

U/Price: 348.00



F 51 GEO JAZZ 605

U/Price: 396.00



Keyed Alike Locks

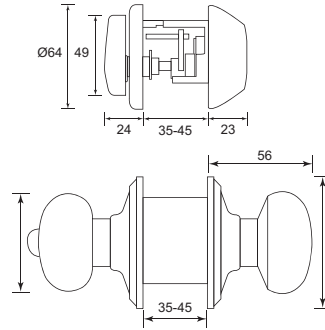


FB 350 GEO 605

U/Price: 690.00

FB 350 GEO 609

U/Price: 824.00



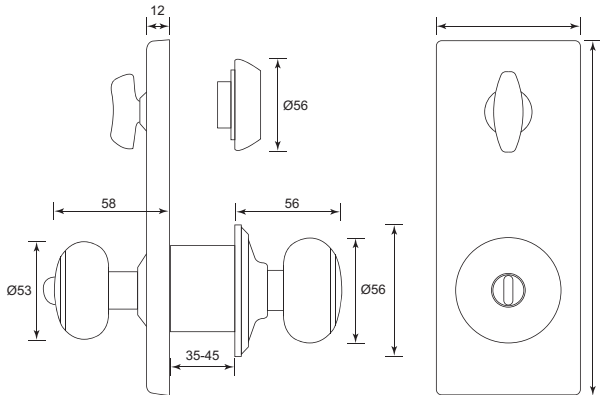
- Backset : Universal latch standard, fits either

Interconnected Locks



H 153 GEO 609

U/Price: 1656.00

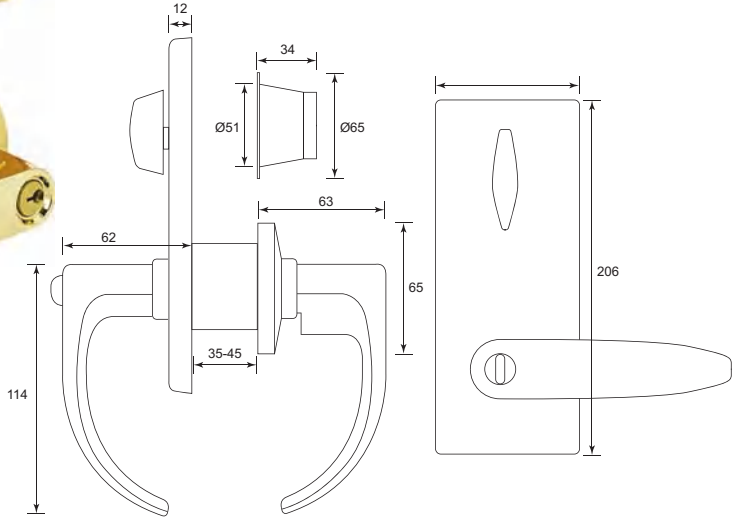


Interconnected Locks



S 251 PD NEP 605

U/Price: 1968.00



Merchandise Stand

