

RL2 SPECIFICATION

FR360 SERIES:

RL3 OCIMUM & RUMEX

RL4 LUNARIA & CAMELLIA

RL5 FUMARIA & GRAMEN

RL6 FUCHISIA & PRIMULA

RL7 SALVIA & THYMUS

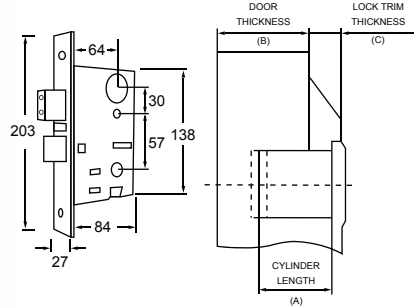
RL8 - RL9 ACCESSORIES

RL10 TECHNICAL INFORMATION

MERCHANDISE STAND



Reprint is prohibited without written consent from Artdoors Marketing Sdn Bhd

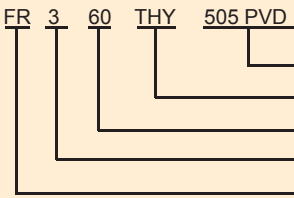


Specifications For Rollexus FR 360 series

- External Handle : Solid Forged Brass.
- Internal Lockcase : Major interior working parts are made of Solid Forged Brass.
Case and case cap are made of Stainless Steel.
- Back Set : 2 1/2" (64mm), [2 3/4" (70mm) and 3 1/2" (90mm) upon request].
- Dead Bolt : 1" throw with two saw-proof hardened steel inserts.
- Face Plate : Forged Brass (203mm x 27mm x 1.6mm).
- Latch Bolt : Latch in Forged Brass material with/without anti-friction trigger, reversible function.
- Door Range : 38mm-50mm.
- Key Way : Schlage C key way.
- System : Able to link with *Saf-Link* safety system.

Dummy Handles are available for all models and finishes.

	B	A	29mm	32mm	35mm	38mm	42mm	45mm	48mm
CAM / FCI / FMR / GRA LUN / PRI / SAL / THY	8mm		40-45mm	46-51mm	52-57mm	58-63mm	66-71mm	72-77mm	78-83mm
OCI / RUM	10mm		36-41mm	42-47mm	48-53mm	54-59mm	62-67mm	68-73mm	74-79mm



FUNCTION & FINISH

ENTRANCE	60
DUMMY	93
505 PVD	
609 A/B	
619 S/N	

FR360 SERIES

OCIMUM



FR360-OCI-619-S/N

ENTRANCE U/Price: 2153.00

DUMMY U/Price: 1215.00



FR360-OCI-505-PVD

ENTRANCE U/Price: 2401.00

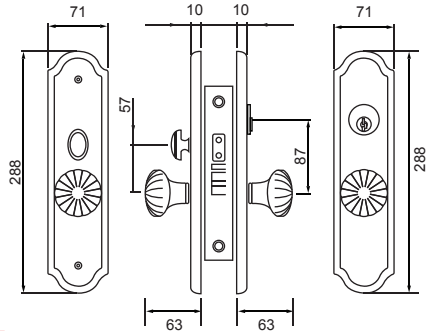
DUMMY U/Price: 1394.00



FR360-OCI-609-A/B

ENTRANCE U/Price: 2153.00

DUMMY U/Price: 1215.00



RUMEX



FR360-RUM-619-S/N

ENTRANCE U/Price: 2636.00

DUMMY U/Price: 1794.00



FR360-RUM-505-PVD

ENTRANCE U/Price: 2857.00

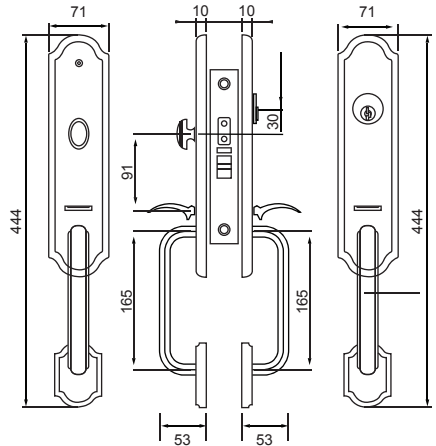
DUMMY U/Price: 2000.00



FR360-RUM-609-A/B

ENTRANCE U/Price: 2636.00

DUMMY U/Price: 1794.00



LUNARIA



FR360-LUN-619-S/N

ENTRANCE U/Price: 2843.00
 DUMMY U/Price: 2000.00



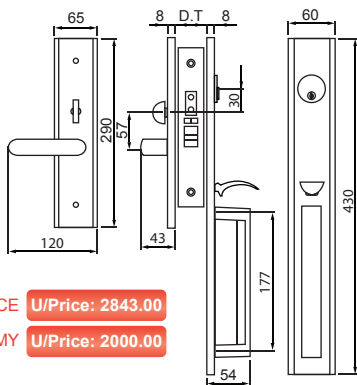
FR360-LUN-505-PVD

ENTRANCE U/Price: 3078.00
 DUMMY U/Price: 2250.00



FR360-LUN-609-A/B

ENTRANCE U/Price: 2843.00
 DUMMY U/Price: 2000.00



CAMELLIA



FR360-CAM-619-S/N

ENTRANCE U/Price: 3100.00
 DUMMY U/Price: 2320.00



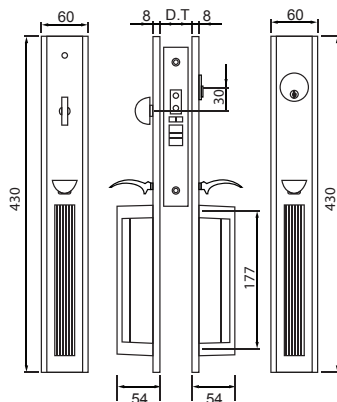
FR360-CAM-505-PVD

ENTRANCE U/Price: 3207.00
 DUMMY U/Price: 2400.00



FR360-CAM-609-A/B

ENTRANCE U/Price: 3100.00
 DUMMY U/Price: 2320.00



FUMARIA



ENTRANCE U/Price: 2540.00
DUMMY U/Price: 1684.00

FR360-FMR-619-S/N



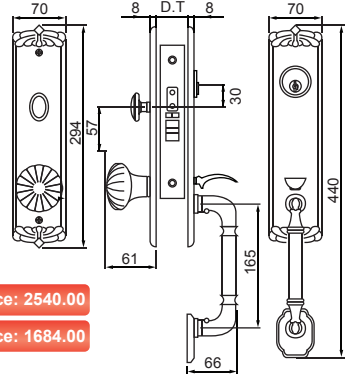
ENTRANCE U/Price: 2746.00
DUMMY U/Price: 1877.00

FR360-FMR-505-PVD



ENTRANCE U/Price: 2540.00
DUMMY U/Price: 1684.00

FR360-FMR-609-A/B



GRAMEN



ENTRANCE U/Price: 2457.00
DUMMY U/Price: 1615.00

FR360-GRA-619-S/N



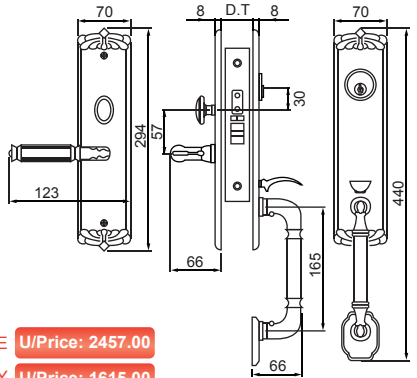
ENTRANCE U/Price: 2677.00
DUMMY U/Price: 1794.00

FR360-GRA-505-PVD



ENTRANCE U/Price: 2457.00
DUMMY U/Price: 1615.00

FR360-GRA-609-A/B



FUCHISIA



ENTRANCE U/Price: 2760.00
 DUMMY U/Price: 1932.00

FR360-FCI-619-S/N



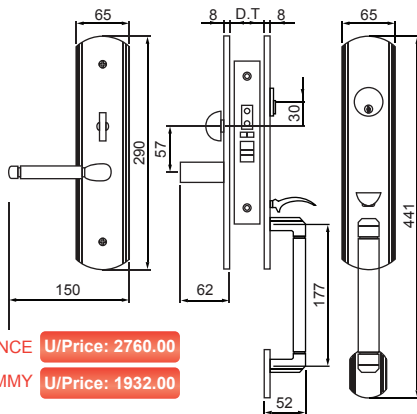
ENTRANCE U/Price: 3008.00
 DUMMY U/Price: 2153.00

FR360-FCI-505-PVD



ENTRANCE U/Price: 2760.00
 DUMMY U/Price: 1932.00

FR360-FCI-609-A/B



PRIMULA



ENTRANCE U/Price: 2829.00
 DUMMY U/Price: 1987.00

FR360-PRI-619-S/N



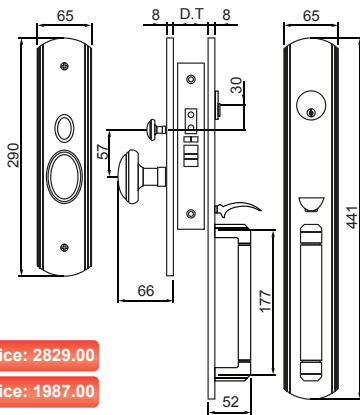
ENTRANCE U/Price: 3063.00
 DUMMY U/Price: 2236.00

FR360-PRI-505-PVD



ENTRANCE U/Price: 2829.00
 DUMMY U/Price: 1987.00

FR360-PRI-609-A/B



FR360 SERIES

SALVIA



FR360-SAL-619-S/N

ENTRANCE
U/Price: 3492.00

DUMMY
U/Price: 2733.00



FR360-SAL-505-PVD



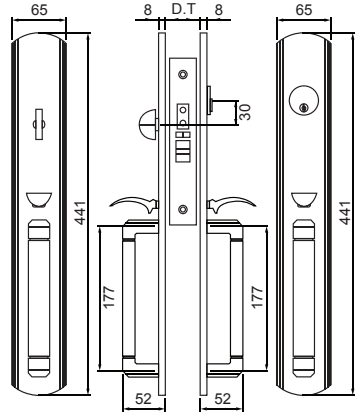
FR360-SAL-609-A/B

ENTRANCE
U/Price: 3492.00

ENTRANCE
U/Price: 3768.00

DUMMY
U/Price: 2733.00

DUMMY
U/Price: 3030.00



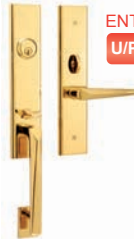
THYMUS



FR360-THY-619-S/N

ENTRANCE
U/Price: 2540.00

DUMMY
U/Price: 1795.00



FR360-THY-505-PVD



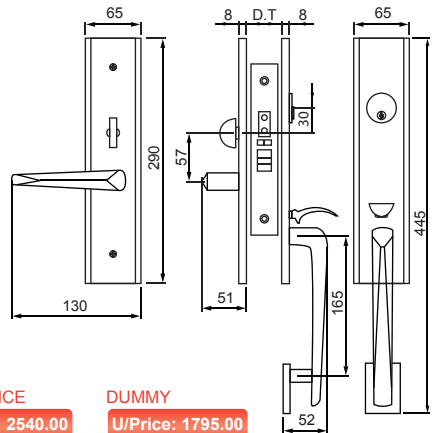
FR360-THY-609-A/B

ENTRANCE
U/Price: 2760.00

DUMMY
U/Price: 1950.00

ENTRANCE
U/Price: 2540.00

DUMMY
U/Price: 1795.00



THUMB PIECE & CYLINDER RING



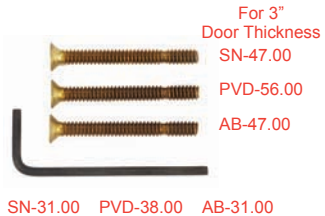
ANTI-FRICTION LATCH



SCREW PACK - LH/KH - SN (Also available in PVD & AB)



SCREW PACK - HH



SCREW IN CYLINDER

(Available in SN, PVD & AB)
Available measurement :
29mm, 32mm, 35mm, 38mm,
42mm, 45mm, 48mm.



AMERICAN MORTISE

(Available in SN, PVD & AB)



Available function :
LH- Lever / Handle
KH- Knob / Handle
HH- Handle / Handle
KK- Knob / Knob

STRIKER PLATE

For 3" Door Thickness



FACE PLATE



MORTISE LOCK CASE W/27MM FACE PLATE



DESCRIPTION	619-S/N	609-A/B	505-PVD
Latch Bolt W/O Anti-Friction Trigger			
D100-A6405B (Knob to Knob)	1,317.00	1,307.00	1,505.00
D200-A6405B (Knob to Grip Handle)	1,303.00	1,283.00	1,479.00
D400-A6405B (Lever to Grip Handle)	1,303.00	1,283.00	1,479.00
D600-A6405B (Grip Handle to Grip Handle)	1,235.00	1,222.00	1,407.00
Latch Bolt C/W Anti-Friction Trigger			
D100-A6405B (Knob to Knob)	1,361.00	1,348.00	1,548.00
D200-A6405B (Knob to Grip Handle)	1,339.00	1,329.00	1,524.00
D400-A6405B (Lever to Grip Handle)	1,339.00	1,329.00	1,524.00
D600-A6405B (Grip Handle to Grip Handle)	1,277.00	1,266.00	1,451.00

SCREW IN CYLINDER (SCHLAGE KEY WAY)

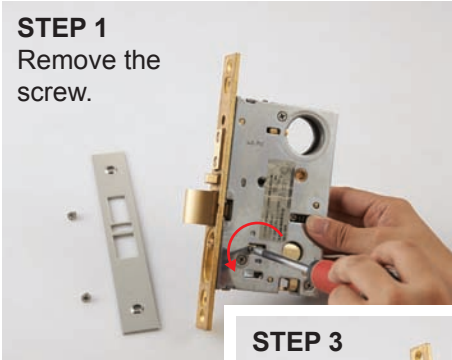


DESCRIPTION	619-S/N	609-A/B	505-PVD
S291 - 29MM	231.00	231.00	242.00
S321 - 32MM	254.00	254.00	272.00
S351 - 35MM	281.00	281.00	296.00
S381 - 38MM	308.00	308.00	325.00
S421 - 42MM	338.00	338.00	351.00
S451 - 45MM	361.00	361.00	380.00
S481 - 48MM	380.00	380.00	404.00

Panic function adjusting steps from internal to external or vice versa

STEP 1

Remove the screw.



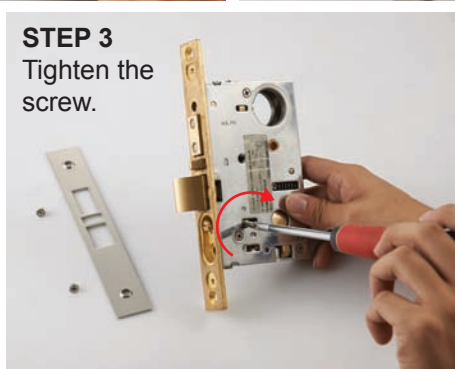
STEP 2

Turn the button to 180 degree.



STEP 3

Tighten the screw.



MERCHANDISE STAND

