



PS2 ADVANTAGES

PS3 - PS4 HA SERIES

PS5 TA 300 SERIES

PS6 TA 400 SERIES

PS7 - PS8 CA 300 SERIES

PS9 CD/CB 300 SERIES

PS10 TE 300 SERIES

PS11 TX 100 SERIES

PS12 TX 200 SERIES

PS13 TX 300 SERIES

PS14 TF 600 SERIES

PS15 TF 700 SERIES

PS16 DB 020 SERIES

PS17 DB 127 SERIES

PS18 DB 128 SERIES

PS19 TA4EB1 SERIES

PS20 PAD LOCK & ACCESSORIES

PS21 ESCUTCHEON

PS22 CYLINDER PROTECTOR

PS23 CYLINDER

PS24 - PS27 STAINLESS STEEL HINGE

PS28 - PS30 BRASS HINGE

PS31 - PS32 DOOR HARDWARE

PS33 - PS34 HB SERIES

PS35 - PS36 JB SERIES

MERCHANDISE STAND

ADVANTAGES



- 1 Additional hardened pin on the latch bolt for better security.
- 2 Protection shield prevents the latch bolt from retracting.
- 3 Solid metal cylinder provides better protection and can be upgraded to enhance the security by changing to the high security cylinder.
- 4 Well designed system ensures longer operating life.
- 5 Decorative trim knob for better appearance.
- 6 Bigger turn piece for easy operation.
- 7 Hole guide provides better firm and smoother turn.



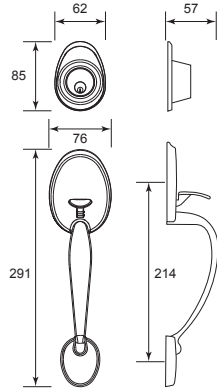
- 8 Extra room for upgrade to the 6 pin cylinder.



Handleset / Gripset

SPECIFICATIONS:

- Application : Residential single and multi-family doors.
- Certifications : ANSI Grade 3.
- Exposed Trim : Handlesets are zinc based to match finishes indicated.
- Keying : Schlage C Keyway. Locks are keyed 5-pin.
- Door Range : 1 $\frac{1}{8}$ " to 1 $\frac{1}{4}$ " (35mm - 45mm) standard.
- Backset : Universal latch standard, fits either 2 $\frac{3}{8}$ " (60mm) or 2 $\frac{3}{4}$ " (70mm) backsets.
- Warranty : 10 year mechanical warranty.



HA 147-619 S/N

U/Price: 350.00

HA 147-605 P/B

U/Price: 350.00

HA 147-609 A/B

U/Price: 350.00

HA 147-616 A/C

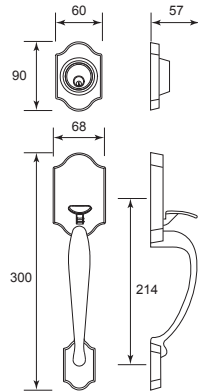
U/Price: 350.00

Handleset / Gripset



SPECIFICATIONS:

- Application : Residential single and multi-family doors.
- Certifications : ANSI Grade 3.
- Exposed Trim : Handlesets are zinc based to match finishes indicated.
- Keying : Schlage C Keyway. Locks are keyed 5-pin.
- Door Range : 1 3/8" to 1 3/4" (35mm - 45mm) standard.
- Backset : Universal latch standard, fits either 2 3/8" (60mm) or 2 3/4" (70mm) backsets.
- Warranty : 10 year mechanical warranty.



HA 247-619 S/N

U/Price: 365.00



HA 247-605 P/B

U/Price: 365.00



HA 247-609 A/B

U/Price: 365.00



HA 247-616 A/C

U/Price: 365.00

Tubular Knobset



TA 300-580 PVD ENTRANCE
(also available in 609 & 616 finish)



TA 300-630 S/S ENTRANCE



TA 330-609 A/B PRIVACY
(also available in 580, 616 & 630 finish)



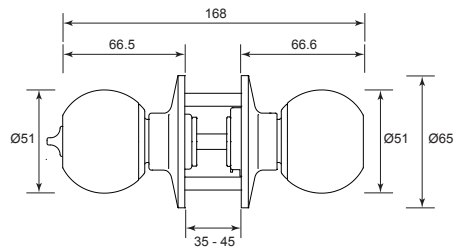
TA 382-616 A/C PASSAGE
(also available in 580, 609 & 630 finish)



SPECIFICATIONS:

- Application : Residential single and multi-family doors.
- Certifications : ANSI Grade 3.
- Exposed Trim : Wrought brass or bronze.
- Keying : Schlage C Keyway. Locks are keyed 5-pin.
- Door Range : 1 $\frac{1}{8}$ " to 1 $\frac{1}{4}$ " (35mm - 45mm) standard.
- Backset : Universal latch standard, fits either 2 $\frac{3}{8}$ " (60mm) or 2 $\frac{1}{4}$ " (70mm) backsets.
- Warranty : 25 year mechanical warranty.

| Model | S/S | P/B | PVD | A/B | A/C |
|----------------|-------|-------|--------|--------|--------|
| TA300 Entrance | 96.00 | - | 150.00 | 112.00 | 115.00 |
| TA330 Privacy | 82.00 | 89.00 | - | 99.00 | 101.00 |
| TA382 Passage | 81.00 | - | 126.00 | 96.00 | 99.00 |



| FUNCTION & FINISH | |
|-------------------|----|
| ENTRANCE | 00 |
| PRIVACY | 30 |
| PASSAGE | 82 |
| 630 S/S | |
| 580 PVD | |
| 609 A/B | |
| 616 A/C | |

| | | | |
|----|---|----|----------|
| TA | 3 | 00 | 630 S/S |
| | | | FINISH |
| | | | FUNCTION |
| | | | DESIGN |
| | | | SERIES |

Tubular Knobset



TA 400-580 PVD ENTRANCE
(also available in 609 & 616 finish)



TA 400-630 S/S ENTRANCE



TA 430-609 A/B PRIVACY
(also available in 580, 616 & 630 finish)



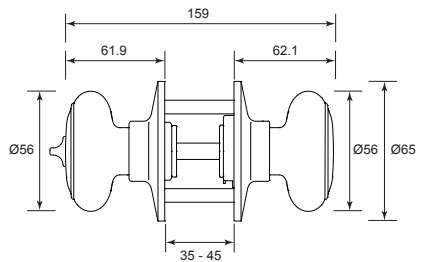
TA 482-616 A/C PASSAGE
(also available in 580, 609 & 630 finish)



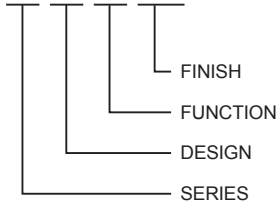
SPECIFICATIONS:

- Application : Residential single and multi-family doors.
- Certifications : ANSI Grade 3.
- Exposed Trim : Wrought brass or bronze.
- Keying : Schlage C Keyway. Locks are keyed 5-pin.
- Door Range : 1 $\frac{1}{8}$ " to 1 $\frac{1}{4}$ " (35mm - 45mm) standard.
- Backset : Universal latch standard, fits either 2 $\frac{3}{8}$ " (60mm) or 2 $\frac{1}{2}$ " (70mm) backsets.
- Warranty : 25 year mechanical warranty.

| Model | S/S | P/B | PVD | A/B | A/C |
|----------------|--------|-------|--------|--------|--------|
| TA400 Entrance | 112.00 | - | 167.00 | 130.00 | 116.00 |
| TA430 Privacy | 97.00 | - | 137.00 | 122.00 | 104.00 |
| TA482 Passage | 95.00 | 99.00 | - | 112.00 | 101.00 |



TA 4 00 630 S/S



FUNCTION & FINISH

| | |
|----------|----|
| ENTRANCE | 00 |
| PRIVACY | 30 |
| PASSAGE | 82 |

| |
|---------|
| 630 S/S |
| 580 PVD |
| 609 A/B |
| 616 A/C |

Cylindrical Knobset



CA 300-580 PVD ENTRANCE
(also available in 609 & 616 finish)



CA 300-630 S/S ENTRANCE



CA 330-609 A/B PRIVACY
(also available in 580, 616 & 630 finish)

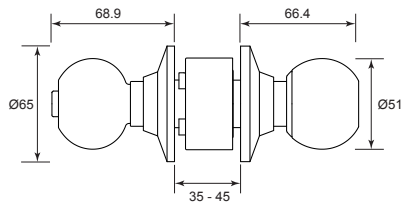


CA 382-616 A/C PASSAGE
(also available in 580, 609 & 630 finish)

SPECIFICATIONS:

- Application : Residential single and multi-family doors.
- Certifications : ANSI Grade 3.
- Exposed Trim : Wrought brass or bronze.
- Keying : Schlage C Keyway. Locks are keyed 5-pin.
- Door Range : 1 1/8" to 1 3/4" (35mm - 45mm) standard.
- Backset : 2 3/8" (60mm)
- Warranty : 25 year mechanical warranty.

| Model | S/S | P/B | PVD | A/B | A/C |
|----------------|-------|-------|--------|--------|--------|
| CA300 Entrance | 98.00 | - | 150.00 | 121.00 | 122.00 |
| CA330 Privacy | 90.00 | - | 135.00 | 106.00 | 108.00 |
| CA382 Passage | 85.00 | 89.00 | - | 99.00 | 106.00 |



CA 3 00 630 S/S

| FUNCTION & FINISH | |
|-------------------|----|
| ENTRANCE | 00 |
| PRIVACY | 30 |
| PASSAGE | 82 |
| 630 S/S | |
| 580 PVD | |
| 609 A/B | |
| 616 A/C | |

Cylindrical Knobset - Storeroom Lock



CA 362-605 P/B ENTRANCE

U/Price: 96.00

SPECIFICATIONS:

- Application : Residential single and multi-family doors.
- Certifications : ANSI Grade 3.
- Exposed Trim : Wrought brass or bronze.
- Keying : Schlage C Keyway. Locks are keyed 5-pin.
- Door Range : 1 $\frac{1}{8}$ " to 1 $\frac{3}{4}$ " (35mm - 45mm) standard.
- Backset : 2 $\frac{3}{8}$ " (60mm)
- Warranty : 25 year mechanical warranty.



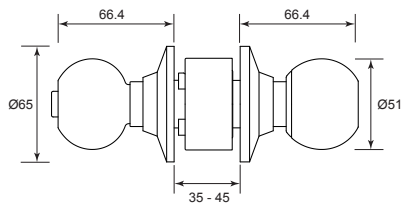
CA 362-630 S/S ENTRANCE

U/Price: 96.00



CA 362-609 A/B ENTRANCE

U/Price: 112.00



CA 362-616 A/C ENTRANCE

U/Price: 115.00

Cylindrical Knobset - Double Cylinder Lock

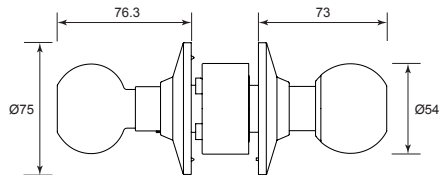


CD 311-630 S/S

U/Price: 198.00

SPECIFICATIONS:

- Application : Residential single and multi-family doors.
- Certifications : ANSI Grade 3.
- Exposed Trim : Wrought brass or bronze.
- Keying : Schlage C Keyway. Locks are keyed 5-pin.
- Door Range : 1 $\frac{3}{8}$ " to 1 $\frac{3}{4}$ " (35mm - 45mm) standard.
- Backset : 2 $\frac{3}{4}$ " (70mm)
- Warranty : 25 year mechanical warranty.



Cylindrical Knobset - Heavy Duty

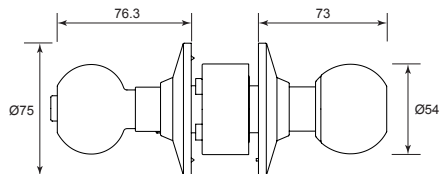


CB 300-630 S/S

U/Price: 200.00

SPECIFICATIONS:

- Application : Residential single and multi-family doors.
- Certifications : ANSI Grade 3.
- Exposed Trim : Wrought brass or bronze.
- Keying : Schlage C Keyway. Locks are keyed 5-pin.
- Door Range : 1 $\frac{3}{8}$ " to 1 $\frac{3}{4}$ " (35mm - 45mm) standard.
- Backset : 2 $\frac{3}{4}$ " (70mm)
- Warranty : 25 year mechanical warranty.



Tubular Leverset



SPECIFICATIONS:

- Application : Residential single and multi-family doors.
- Certifications : ANSI Grade 3.
- Exposed Trim : Wrought brass or bronze.
Levers are zinc based plated to match finishes indicated.
- Keying : Schlage C Keyway. Locks are keyed 5-pin.
- Door Range : 1 $\frac{3}{8}$ " to 1 $\frac{3}{4}$ " (35mm - 45mm) standard.
- Backset : Universal latch standard, fits either 2 $\frac{3}{8}$ " (60mm) or 2 $\frac{3}{4}$ " (70mm) backsets.
- Warranty : 25 year mechanical warranty.



TE 300-619 S/N ENTRANCE

U/Price: 150.00



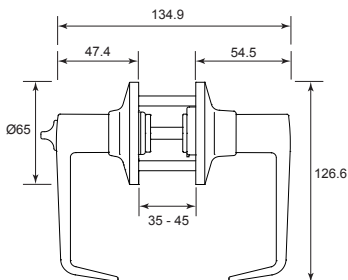
TE 330-619 S/N PRIVACY

U/Price: 122.00



TE 382-619 S/N PASSAGE

U/Price: 120.00



TE 6 00 619 S/N

FUNCTION & FINISH

| | |
|----------|----|
| ENTRANCE | 00 |
| PRIVACY | 30 |
| PASSAGE | 82 |

FINISH

FUNCTION

MODEL

SERIES

619 S/N

Tubular Leverset

SPECIFICATIONS:

- Application : Residential single and multi-family doors.
- Certifications : Exceeds 100,000 cycle test.
- Exposed Trim : Levers are zinc based plated to match finishes indicated.
- Keying : Schlage C Keyway. Locks are keyed 5-pin.
- Door Range : 1 $\frac{3}{8}$ " to 1 $\frac{3}{4}$ " (35mm - 45mm) standard.
- Backset : Universal latch standard, fits either 2 $\frac{1}{2}$ " (60mm) or 2 $\frac{3}{4}$ " (70mm) backsets.
- Warranty : 5 year mechanical warranty.



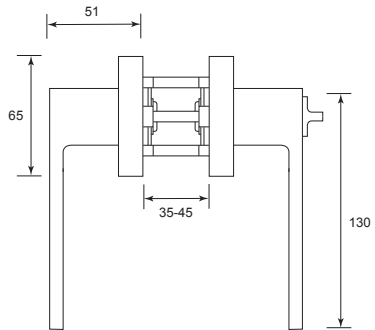
TX 100-622 M/B ENTRANCE



TX 100-619 S/P ENTRANCE



TX 100-609 A/B ENTRANCE



TX 100 ENTRANCE **U/Price: 160.00**

TX 110 PRIVACY **U/Price: 160.00**



TX 1 00 609 A/B

| FUNCTION & FINISH | |
|-------------------|-------------|
| FINISH | ENTRANCE 00 |
| FUNCTION | PRIVACY 10 |
| MODEL | 622 M/B |
| | 619 S/P |
| SERIES | 609 A/B |

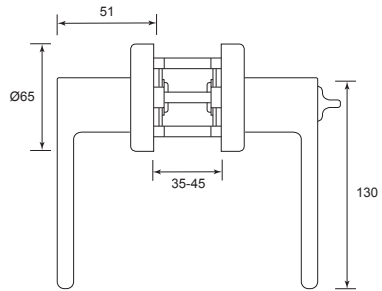
Tubular Leverset

SPECIFICATIONS:

- Application : Residential single and multi-family doors.
- Certifications : Exceeds 100,000 cycle test.
- Exposed Trim : Levers are zinc based plated to match finishes indicated.
- Keying : Schlage C Keyway. Locks are keyed 5-pin.
- Door Range : 1 $\frac{3}{8}$ " to 1 $\frac{3}{4}$ " (35mm - 45mm) standard.
- Backset : Universal latch standard, fits either 2 $\frac{3}{8}$ " (60mm) or 2 $\frac{3}{4}$ " (70mm) backsets.
- Warranty : 5 year mechanical warranty.



TX 200-622 M/B ENTRANCE



TX 200-619 S/P ENTRANCE

TX 200 ENTRANCE **U/Price: 160.00**

TX 210 PRIVACY **U/Price: 160.00**



TX 200-609 A/B ENTRANCE

TX 2 00 609 A/B

FINISH
FUNCTION
MODEL
SERIES

FUNCTION & FINISH

| | |
|----------|----|
| ENTRANCE | 00 |
| PRIVACY | 10 |
| 622 M/B | |
| 619 S/P | |
| 609 A/B | |

Tubular Leverset

SPECIFICATIONS:

- Application : Residential single and multi-family doors.
- Certifications : Exceeds 100,000 cycle test.
- Exposed Trim : Levers are zinc based plated to match finishes indicated.
- Keying : Schlage C Keyway. Locks are keyed 5-pin.
- Door Range : 1 $\frac{3}{8}$ " to 1 $\frac{3}{4}$ " (35mm - 45mm) standard.
- Backset : Universal latch standard, fits either 2 $\frac{3}{8}$ " (60mm) or 2 $\frac{3}{4}$ " (70mm) backsets.
- Warranty : 5 year mechanical warranty.

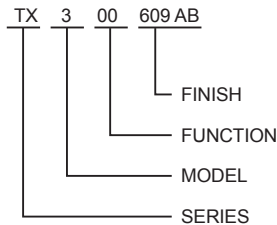
TX 300-622 MB ENTRANCE



TX 300-609 A/B ENTRANCE

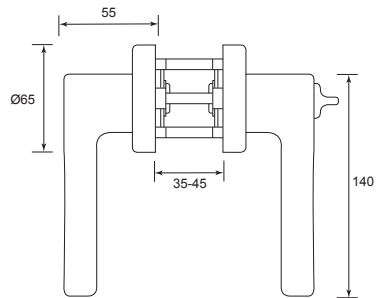
TX 300 ENTRANCE U/Price: 160.00

TX 310 PRIVACY U/Price: 160.00



FUNCTION & FINISH

| | |
|----------|----|
| ENTRANCE | 00 |
| PRIVACY | 10 |
| 622 M/B | |
| 609 A/B | |



Advantages



Able to link with Saflink Masterkey System



Unique designs to create your home a style upgrade



Special finishes to give a lasting impression for your home.



Panic function for emergency exit.

Tubular Leverset



TF 600-580 PVD
(also available in 609 & 616 finish)



TF 600-619 S/N ENTRANCE



TF 630-609 A/B PRIVACY
(also available in 580, 616 & 619 finish)



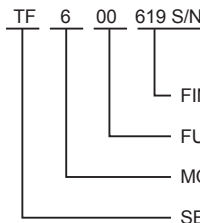
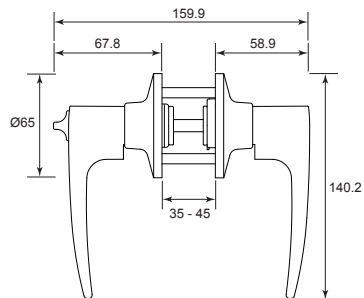
TF 682-616 A/C PASSAGE
(also available in 580, 609 & 619 finish)



SPECIFICATIONS:

- Application : Residential single and multi-family doors.
- Certifications : ANSI Grade 3.
- Exposed Trim : Wrought brass or bronze.
Levers are zinc based plated to match finishes indicated.
- Keying : Schlage C Keyway. Locks are keyed 5-pin.
- Door Range : 1 $\frac{3}{8}$ " to 1 $\frac{3}{4}$ " (35mm - 45mm) standard.
- Backset : Universal latch standard, fits either 2 $\frac{3}{8}$ " (60mm) or 2 $\frac{3}{4}$ " (70mm) backsets.
- Warranty : 25 year mechanical warranty.

| Model | S/N | P/B | PVD | A/B | A/C |
|----------------|--------|--------|--------|--------|--------|
| TF600 Entrance | 187.00 | - | 200.00 | 170.00 | 172.00 |
| TF630 Privacy | 154.00 | - | 157.00 | 137.00 | 140.00 |
| TF682 Passage | 149.00 | 121.00 | - | 131.00 | 137.00 |



FUNCTION & FINISH

| | |
|----------|----|
| ENTRANCE | 00 |
| PRIVACY | 30 |
| PASSAGE | 82 |
| 619 S/N | |
| 580 PVD | |
| 609 A/B | |
| 616 A/C | |

Tubular Left/Right Handed Leverset



TF 700-580 PVD
(also available in 609 & 616 finish)



TF 700-619 S/N ENTRANCE



TF 730-609 A/B PRIVACY
(also available in 580, 616 & 619 finish)



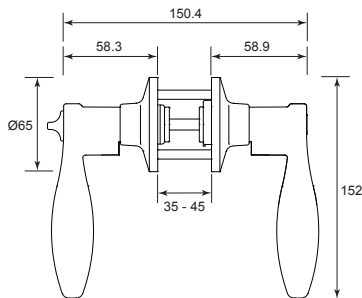
TF 782-616 A/C PASSAGE
(also available in 580, 609 & 619 finish)



SPECIFICATIONS:

- Application : Residential single and multi-family doors.
- Certifications : ANSI Grade 3.
- Exposed Trim : Wrought brass or bronze.
Levers are zinc based plated to match finishes indicated.
- Keying : Schlage C Keyway. Locks are keyed 5-pin.
- Door Range : 1 $\frac{1}{8}$ " to 1 $\frac{1}{4}$ " (35mm - 45mm) standard.
- Backset : Universal latch standard, fits either 2 $\frac{3}{8}$ " (60mm) or 2 $\frac{1}{2}$ " (70mm) backsets.
- Warranty : 25 year mechanical warranty.

| Model | S/N | PVD | A/B | A/C |
|----------------|--------|--------|--------|--------|
| TF700 Entrance | 188.00 | 212.00 | 173.00 | 177.00 |
| TF730 Privacy | 157.00 | 164.00 | 141.00 | 143.00 |
| TF782 Passage | 154.00 | 161.00 | 137.00 | 140.00 |



TF 7 00 619 S/N

FINISH
FUNCTION
MODEL
SERIES

FUNCTION & FINISH

ENTRANCE 00
PRIVACY 30
PASSAGE 82

619 S/N
580 PVD
609 A/B
616 A/C

Keyless Deadbolt



DB 020-580 PVD

U/Price: 90.00

SPECIFICATIONS:

- Application : Residential single and multi-family doors.
- Certifications : ANSI Grade 3.
- Exposed Trim : Wrought brass or bronze.
- Door Range : 1 $\frac{1}{8}$ " to 1 $\frac{1}{4}$ " (35mm - 45mm) standard.
- Backset : Universal latch standard, fits either 2 $\frac{3}{8}$ " (60mm) or 2 $\frac{3}{4}$ " (70mm) backsets.
- Warranty : 25 year mechanical warranty.



DB 020-630 S/S

U/Price: 74.00



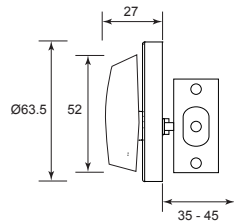
DB 020-609 A/B

U/Price: 78.00



DB 020-616 A/C

U/Price: 85.00



Single Deadbolt



DB 127-605 P/B

U/Price: 125.00



DB 127-630 S/S

U/Price: 120.00



DB 127-609 A/B

U/Price: 128.00

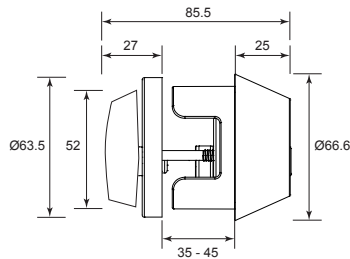


DB 127-616 A/C

U/Price: 132.00

SPECIFICATIONS:

- Application : Residential single and multi-family doors.
- Certifications : ANSI Grade 3.
- Exposed Trim : Wrought brass or bronze.
- Keying : Schlage C Keyway. Locks are keyed 5-pin.
- Door Range : 1 $\frac{3}{8}$ " to 1 $\frac{3}{4}$ " (35mm - 45mm) standard.
- Backset : Universal latch standard, fits either 2 $\frac{3}{8}$ " (60mm) or 2 $\frac{3}{4}$ " (70mm) backsets.
- Warranty : 25 year mechanical warranty.



Double Deadbolt



DB 128-580 PVD

U/Price: 185.00



DB 128-630 S/S

U/Price: 159.00



DB 128-609 A/B

U/Price: 165.00

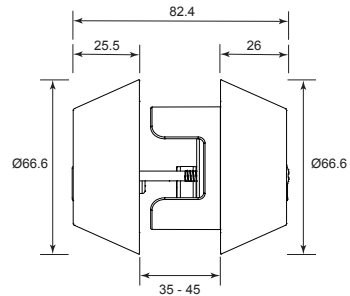


DB 128-616 A/C

U/Price: 170.00

SPECIFICATIONS:

- Application : Residential single and multi-family doors.
- Certifications : ANSI Grade 3.
- Exposed Trim : Wrought brass or bronze.
- Keying : Schlage C Keyway. Locks are keyed 5-pin.
- Door Range : 1 $\frac{3}{8}$ " to 1 $\frac{3}{4}$ " (35mm - 45mm) standard.
- Backset : Universal latch standard, fits either 2 $\frac{3}{8}$ " (60mm) or 2 $\frac{3}{4}$ " (70mm) backsets.
- Warranty : 25 year mechanical warranty.



Combination Security Lockset

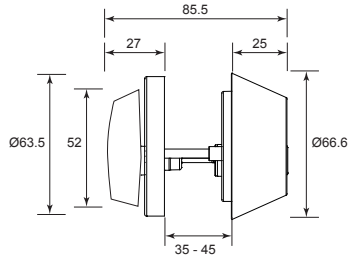
SPECIFICATIONS:

- Application : Residential single and multi-family doors.
- Certifications : ANSI Grade 3.
- Exposed Trim : Wrought brass or bronze.
- Keying : Schlage C Keyway. Locks are keyed 5-pin.
- Door Range : 1 1/8" to 1 3/4" (35mm - 45mm) standard.
- Backset : Universal latch standard, fits either 2 3/8" (60mm) or 2 3/4" (70mm) backsets.
- Warranty : 25 year mechanical warranty.



TA4EB1-580-PVD

U/Price: 276.00



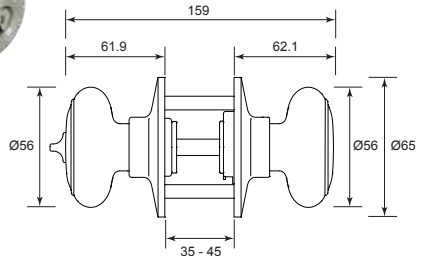
TA4EB1-609-A/B

U/Price: 228.00



TA4EB1-630-S/S

U/Price: 202.00



TA4EB1-616-A/C

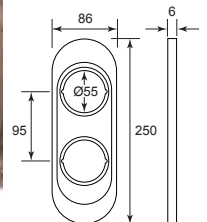
U/Price: 236.00

Trim Plate For Combination Lock

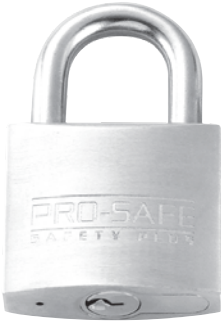


TP 630 S/S TP 580 PVD TP 609 A/B TP 616 A/C

U/Price: 74.00



Safety Plus Padlock



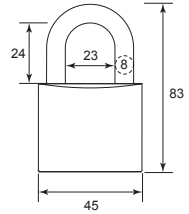
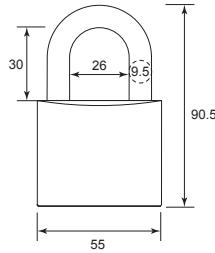
PADLOCK 55mm

U/Price: 146.00



PADLOCK 45mm

U/Price: 112.00



Cylindrical & Tubular Latches



TA 127mm LATCH

U/Price: 49.00



CA 127mm LATCH

U/Price: 49.00



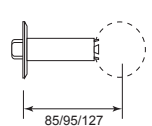
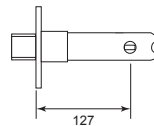
CA 95mm LATCH

U/Price: 46.00

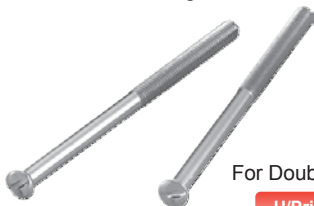


CA 85mm LATCH

U/Price: 43.00



One-Way Screw



For Double Deadbolt

U/Price: 8.00

Per Pair

Key Blank



PSKB

U/Price: 5.00

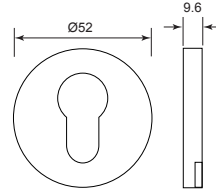
Security Escutcheon



SE 50 625 P/C
U/Price: 131.00
Per Pair



SE 50 619 S/N
U/Price: 131.00
Per Pair



SE 50 605 P/B
U/Price: 131.00
Per Pair



SE 50 609 A/B
U/Price: 131.00
Per Pair

How easy a break-in can occur on your normal unprotected escutcheon



A. The normal escutcheon rose.
B. Turn off the external cover.



C. Remove the screws and take off the internal cover.



D. Tighten up with a switch wrench and swing it. (cylinder is exposed by at least 10mm).



E. The profile cylinder can be broken off easily.



F. Put in a new profile cylinder.

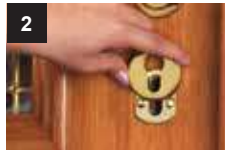


G. Door can be opened as usual.

Security Cylinder Protector will Provide You The Ideal Solution.



1 Install the escutcheon base using "Bolt Thru Screw".



2 Slot in the escutcheon cover.

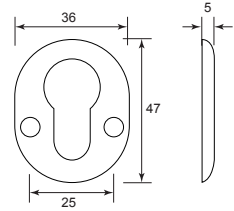


3 Install the profile cylinder.



4 Once installation is completed. The escutcheon cover cannot be removed.

Security Cylinder Protector



SCP 36P-619 S/N

U/Price: 52.00

Per Pair

SCP 36P-605 P/B

U/Price: 52.00

Per Pair



SCP 36P-609 A/B

U/Price: 52.00

Per Pair



SCREW SES 3220 S/N

SCREW SES 3220 P/B

SCREW SES 3220 A/B

U/Price: 5.00

Per Pair

How easy a break-in can occur on your normal unprotected escutcheon



A. Remove lever plate.



B. Tighten up with a switch wrench and swing it. (cylinder is exposed by at least 10mm).



C. The profile cylinder can be broken off easily.



D. Put in a new profile cylinder.



E. Door can be opened as usual.

Security Cylinder Protector will Provide You The Ideal Solution.



1. Install the security cylinder protector using "Bolt Thru Screws".



2. Install the profile cylinder.



3. Install lever handle to the door using SES 3220 "Bolt Thru Screws".



4. Completely installed SES 3220 screws prevent lever handle from remove.

Cylinder



24102-050-XX



24104-042-XX




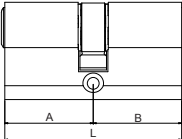
24101-360-XX


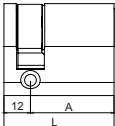



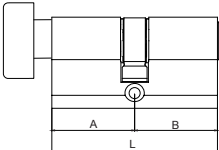
24103-360-XX


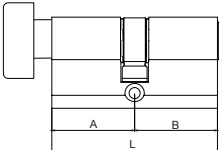



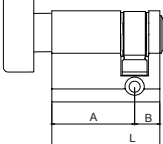
24105-342-XX

| Double Cylinder | | L | A | B | Cam = 15 mm | Finish | U/Price | Finish | U/Price | Finish | U/Price |
|--|---|----|----|----|-------------|--------|---------|--------|---------|--------|---------|
|  |  | 50 | 25 | 25 | 24102-050 | S/N | 100.00 | P/B | 100.00 | A/B | 100.00 |
| | | 60 | 30 | 30 | 24102-060 | S/N | 105.00 | P/B | 1105.00 | A/B | 105.00 |
| | | 70 | 35 | 35 | 24102-070 | S/N | 110.00 | P/B | 110.00 | A/B | 110.00 |

| Half Cylinder | | L | A | B | Cam = 15 mm | Finish | U/Price | Finish | U/Price |
|--|---|----|----|----|-------------|--------|---------|--------|---------|
|  |  | 42 | 30 | 12 | 24104-042 | S/N | 100.00 | P/B | 100.00 |

| Single Cylinder | | L | A | B | Cam = 15 mm | Finish | U/Price | Finish | U/Price | Finish | U/Price |
|--|--|----|------|------|-------------|--------|---------|--------|---------|--------|---------|
|  |  | 60 | 30 | 30 | 24101-360 | S/N | 105.00 | P/B | 105.00 | A/B | 105.00 |
| | | 70 | 35 | 35 | 24101-370 | S/N | 110.00 | P/B | 110.00 | A/B | 110.00 |
| | | 65 | 32.2 | 32.5 | PSXT-365 | S/N | 140.00 | | | | |

| Privacy Cylinder | | L | A | B | Cam = 15 mm | Finish | U/Price | Finish | U/Price | Finish | U/Price |
|--|---|----|----|----|-------------|--------|---------|--------|---------|--------|---------|
|  |  | 60 | 30 | 30 | 24103-360 | S/N | 105.00 | P/B | 105.00 | A/B | 105.00 |
| | | 70 | 35 | 35 | 24103-370 | S/N | 110.00 | P/B | 110.00 | A/B | 110.00 |

| Half Thumbturn Cylinder | | L | A | B | Cam = 15 mm | Finish | U/Price | Finish | U/Price |
|--|---|----|----|----|-------------|--------|---------|--------|---------|
|  |  | 42 | 30 | 12 | 24105-342 | S/N | 100.00 | P/B | 100.00 |

Stainless Steel Hinges

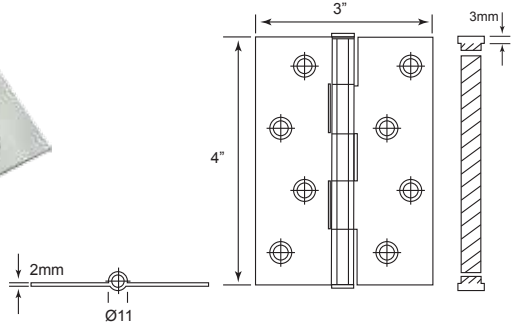


SH432FT S/S

U/Price: 32.00
Per Pair

SPECIFICATIONS:

- For timber door
- Suitable for both left and right hand door
- Material : Stainless Steel SUS 304



| Code No. | Height (H) | Width (W) | Thickness (T) | Finish |
|----------|------------|-----------|---------------|--------|
| SH432FT | 102mm/4" | 76mm/3" | 2.0mm | S/S |

Recommendation : 3 pieces per door

2.0mm Thickness Hinges: 25 - 40Kgs Per Door

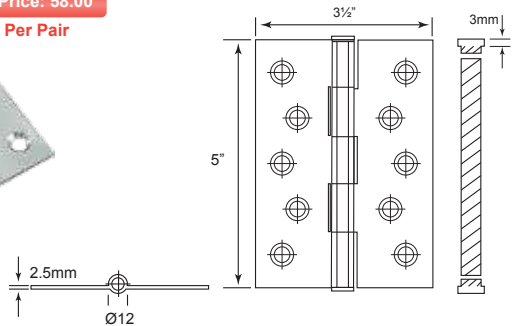


SH53525FT S/S

U/Price: 58.00
Per Pair

SPECIFICATIONS:

- For timber door
- Suitable for both left and right hand door
- Material : Stainless Steel SUS 304



| Code No. | Height (H) | Width (W) | Thickness (T) | Finish |
|-----------|------------|-------------|---------------|--------|
| SH53525FT | 127mm/5" | 89mm/3 1/2" | 2.5mm | S/S |

Recommendation : 3 pieces per door

2.5mm Thickness Hinges: 40 - 60Kgs Per Door

Stainless Steel Hinges



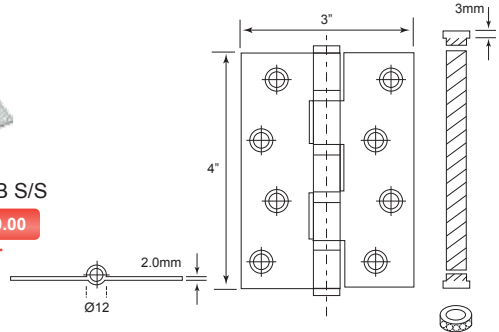
SH432FT4B S/S

U/Price: 39.00

Per Pair

SPECIFICATIONS:

- For timber door
- With 4 ball bearings
- Suitable for both left and right hand door
- Material : Stainless Steel SUS 304



| Code No. | Height (H) | Width (W) | Thickness (T) | Finish |
|-----------|------------|-----------|---------------|--------|
| SH432FT4B | 102mm/4" | 76mm/3" | 2.0mm | S/S |

Recommendation : 3 pieces per door

2.0mm Thickness Hinges: 25 - 40Kgs Per Door



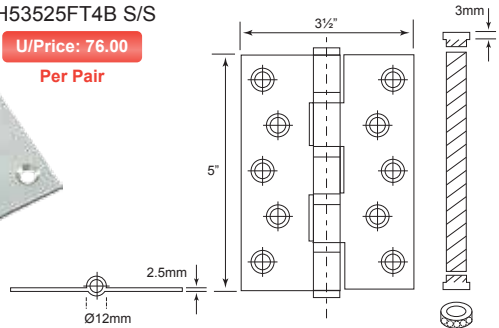
SH53525FT4B S/S

U/Price: 76.00

Per Pair

SPECIFICATIONS:

- For timber door
- With 4 ball bearings
- Suitable for both left and right hand door
- Material : Stainless Steel SUS 304



| Code No. | Height (H) | Width (W) | Thickness (T) | Finish |
|-------------|------------|-------------|---------------|--------|
| SH53525FT4B | 127mm/5" | 89mm/3 1/2" | 2.5mm | S/S |

Recommendation : 3 pieces per door

2.5mm Thickness Hinges: 40 - 60Kgs Per Door

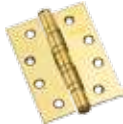
Stainless Steel Hinges



SH4325FT4B S/S

U/Price: 52.00

Per Pair



SH4325FT4B
PVD

U/Price: 100.00

Per Pair



SH4325FT4B
A/B

U/Price: 69.00

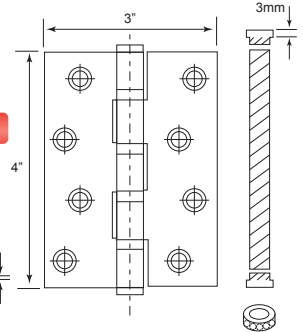
Per Pair



SH4325FT4B
A/C

U/Price: 69.00

Per Pair



SPECIFICATIONS:

- For timber door
- With 4 ball bearings
- Suitable for both left and right hand door
- Material : Stainless Steel SUS 304

| Code No. | Height (H) | Width (W) | Thickness (T) | Finish |
|------------|------------|-----------|---------------|-------------------|
| SH4325FT4B | 102mm/4" | 76mm/3" | 2.5mm | S/S, PVD, A/B A/C |

Recommendation : 3 pieces per door

2.5mm Thickness Hinges: 40 - 60Kgs Per Door



SH5325FT4B S/S

U/Price: 73.00

Per Pair



SH5325FT4B
PVD

U/Price: 116.00

Per Pair



SH5325FT4B
A/B

U/Price: 88.00

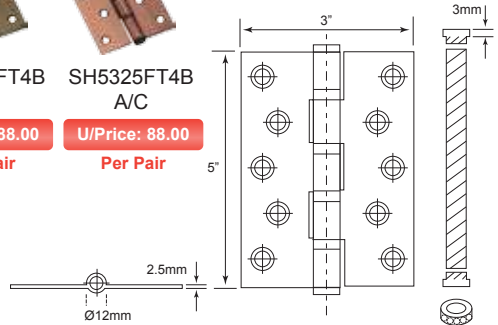
Per Pair



SH5325FT4B
A/C

U/Price: 88.00

Per Pair



SPECIFICATIONS:

- For timber door
- With 4 ball bearings
- Suitable for both left and right hand door
- Material : Stainless Steel SUS 304

| Code No. | Height (H) | Width (W) | Thickness (T) | Finish |
|------------|------------|-----------|---------------|-------------------|
| SH5325FT4B | 127mm/5" | 76mm/3" | 2.5mm | S/S, PVD, A/B A/C |

Recommendation : 3 pieces per door

2.5mm Thickness Hinges: 40 - 60Kgs Per Door

Stainless Steel Spring Hinges

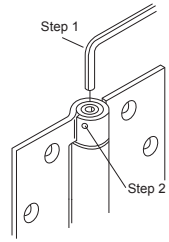
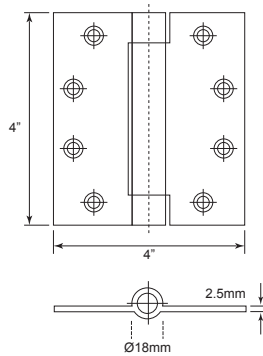
SPH2544 S/S

U/Price: 100.00
Per Pair



SPECIFICATIONS:

- For timber door
- 180° spring action
- Auto-close after open
- Suitable for both left and right hand door
- Material : Stainless Steel SUS 304



Step 1 = Adjust spring force using allen key
Step 2 = Fixing of adjustment spring force with security pin

| Code No. | Height (H) | Width (W) | Thickness (T) | Finish |
|----------|------------|-----------|---------------|--------|
| SH2544 | 102mm/4" | 102mm/4" | 2.5mm | S/S |

Recommendation : 3 pieces per door

2.5mm Thickness Hinges: 40 - 60Kgs Per Door

Double Action Spring Hinges



DSH5 S/S

U/Price: 231.00
Per Pair

DSH4 S/S

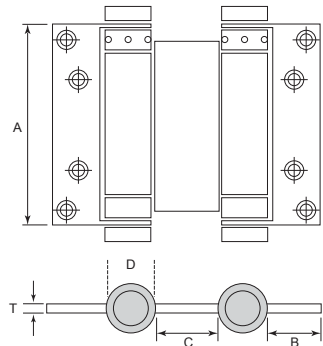
U/Price: 185.00
Per Pair

DSH3 S/S

U/Price: 153.00
Per Pair

SPECIFICATIONS:

- For timber door
- Door swing back after push or pull
- Suitable for both left and right hand door
- Material : Stainless Steel SUS 304

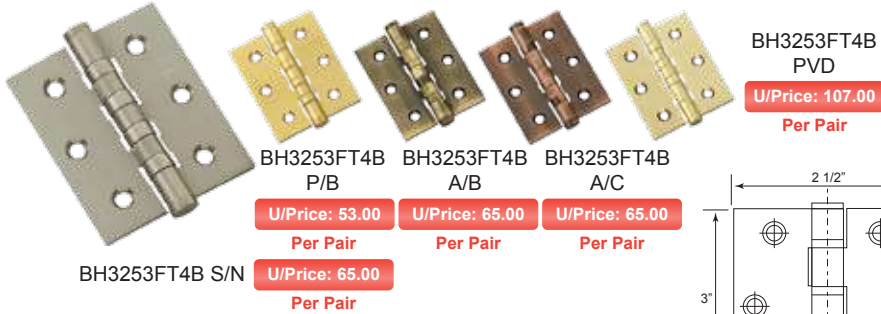


| Code No. | (A) | (B) | (C) | (D) | (T) | Finish |
|----------|----------|------|------|------|-------|--------|
| DSH5 | 127mm/5" | 29mm | 38mm | 23mm | 2.0mm | S/S |
| DSH4 | 102mm/4" | 24mm | 32mm | 19mm | 2.0mm | S/S |
| DSH3 | 76mm/3" | 22mm | 32mm | 19mm | 2.0mm | S/S |

Recommendation : 3 pieces per door

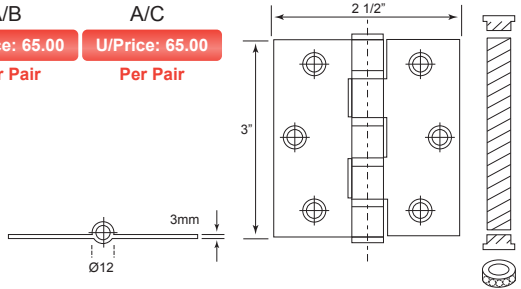
2.0mm Thickness Hinges: 25 - 40Kgs Per Door

Brass Hinges



SPECIFICATIONS:

- For timber window
- With 4 ball bearings
- Suitable for both left and right hand door
- Material : Brass



| Code No. | Height (H) | Width (W) | Thickness (T) | Finish |
|------------|------------|-----------|---------------|-------------------------|
| BH3253FT4B | 76mm/3" | 63mm/2½" | 3.0mm | S/N, P/B, A/B, A/C, PVD |

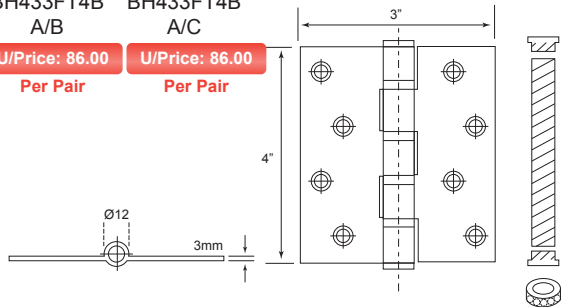
Recommendation : 2 pieces per window

3.0mm Thickness Hinges: 15 - 25Kgs Per Window



SPECIFICATIONS:

- For timber door
- With 4 ball bearings
- Suitable for both left and right hand door
- Material : Brass

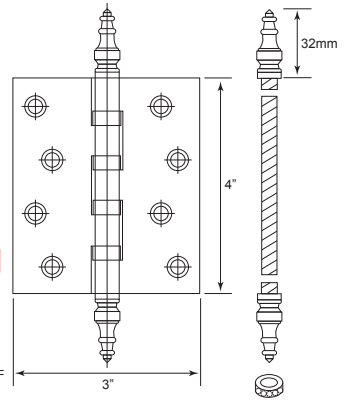
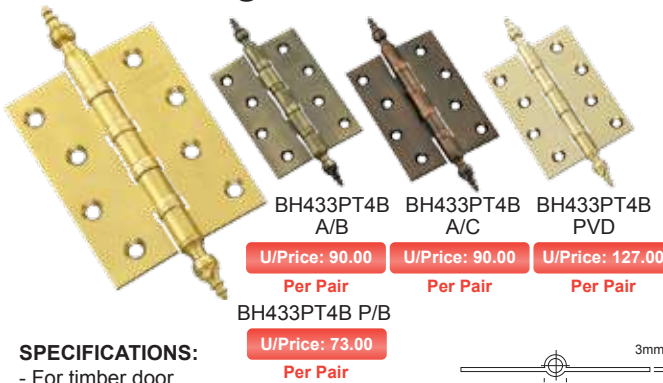


| Code No. | Height (H) | Width (W) | Thickness (T) | Finish |
|-----------|------------|-----------|---------------|-------------------------|
| BH433FT4B | 102mm/4" | 76mm/3" | 3.0mm | S/N, P/B, A/B, A/C, PVD |

Recommendation : 3 pieces per door

3.0mm Thickness Hinges: 40 - 60Kgs Per Door

Brass Hinges



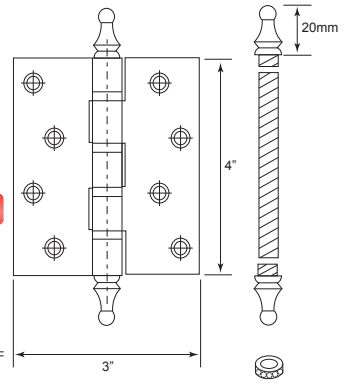
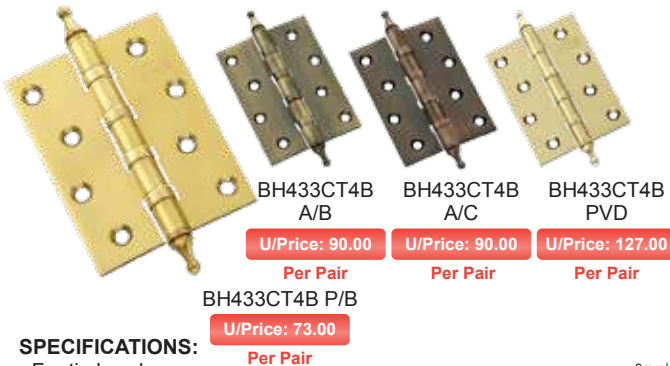
SPECIFICATIONS:

- For timber door
- With 4 ball bearings and pagoda tips
- Suitable for both left and right hand door
- Material : Brass

| Code No. | Height (H) | Width (W) | Thickness (T) | Finish |
|-----------|------------|-----------|---------------|--------------------|
| BH433PT4B | 102mm/4" | 76mm/3" | 3.0mm | P/B, A/B, A/C, PVD |

Recommendation : 3 pieces per door

3.0mm Thickness Hinges: 40 - 60Kgs Per Door



SPECIFICATIONS:

- For timber door
- With 4 ball bearings and crown tips
- Suitable for both left and right hand door
- Material : Brass

| Code No. | Height (H) | Width (W) | Thickness (T) | Finish |
|-----------|------------|-----------|---------------|--------------------|
| BH433CT4B | 102mm/4" | 76mm/3" | 3.0mm | P/B, A/B, A/C, PVD |

Recommendation : 3 pieces per door

3.0mm Thickness Hinges: 40 - 60Kgs Per Door

Brass Hinges



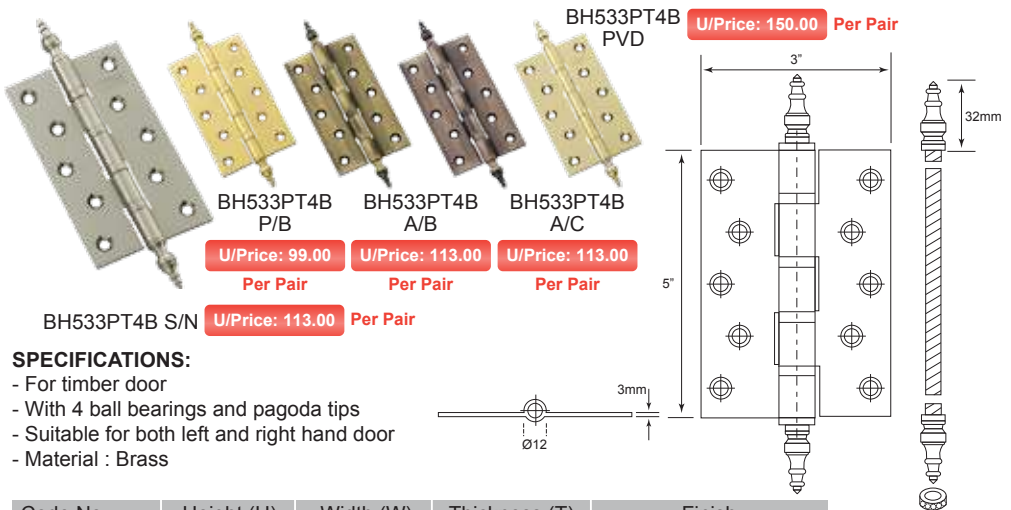
SPECIFICATIONS:

- For timber door
- With 4 ball bearings
- Suitable for both left and right hand door
- Material : Brass

| Code No. | Height (H) | Width (W) | Thickness (T) | Finish |
|-----------|------------|-----------|---------------|-------------------------|
| BH533FT4B | 127mm/5" | 76mm/3" | 3.0mm | S/N, P/B, A/B, A/C, PVD |

Recommendation : 3 pieces per door

3.0mm Thickness Hinges: 50 - 70Kgs Per Door



SPECIFICATIONS:

- For timber door
- With 4 ball bearings and pagoda tips
- Suitable for both left and right hand door
- Material : Brass

| Code No. | Height (H) | Width (W) | Thickness (T) | Finish |
|-----------|------------|-----------|---------------|-------------------------|
| BH533PT4B | 127mm/5" | 76mm/3" | 3.0mm | S/N, P/B, A/B, A/C, PVD |

Recommendation : 3 pieces per door

3.0mm Thickness Hinges: 50 - 70Kgs Per Door

Stainless Steel Cassette Flush Bolt



AVAILABLE COLOR:



| Code No. | Size (A) | Material | Finish |
|----------|----------------------------------|-------------------------|--------|
| PFC65XX | 8", 10", 12", 18", 24" | Stainless Steel SUS 304 | M/B |
| PFC66XX | 8", 10", 12", 18", 24", 30", 40" | Stainless Steel SUS 304 | S/S |
| PFC67XX | 8", 10", 12", 18", 24", 40" | Stainless Steel SUS 304 | P/B |
| PFC68XX | 8", 10", 12", 18", 24", 40" | Stainless Steel SUS 304 | A/B |
| PFC69XX | 8", 10", 12", 18", 24", 40" | Stainless Steel SUS 304 | A/C |

| Description | Unit Price - X (S/S-6) | Unit Price - X (P/B-7, A/B-8, A/C-9) | Unit Price - X (M/B-5) |
|-------------------|------------------------|--------------------------------------|------------------------|
| PFC 6X08 (8") | 26.00 | 37.00 | 37.00 |
| PFC 6X10 (10") | 32.00 | 40.00 | 40.00 |
| PFC 6X12 (12") | 37.00 | 45.00 | 45.00 |
| PFC 6X18 (18") | 58.00 | 75.00 | 75.00 |
| PFC 6X24 (24") | 76.00 | 97.00 | 97.00 |
| PFC 6X30 (30") ** | 160.00 | - | - |
| PFC 6X40 (40") | 200.00 | 212.00 | - |

**NEW

Sliding Door Lock



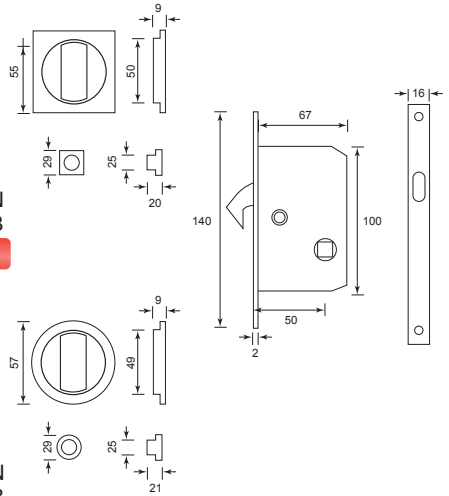
PSM-50S SN
PSM-50S PB

U/Price: 98.00



PSM-50R SN
PSM-50R PB

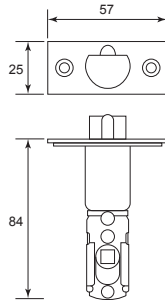
U/Price: 98.00



Tubular Latch



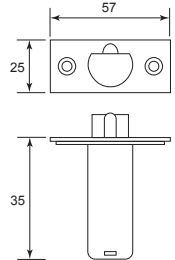
U/Price: 38.00



Cylindrical Latch 60mm



U/Price: 26.00



Keying Kit



U/Price: 550.00

Deadbolt Screw 74mm



U/Price: 8.00
Per Pair

Solid Brass Entrance Handletset



HB147-505 PVD
HB140-505 PVD

U/Price: 708.00



HB147-619 S/N
HB140-619 S/N

U/Price: 594.00



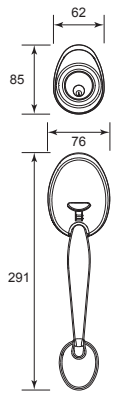
HB147-609 A/B
HB140-609 A/B

U/Price: 586.00



HB147-616 A/C
HB140-616 A/C

U/Price: 610.00



HB1F7-505 PVD
HB1F0-505 PVD

U/Price: 724.00



HB1F7-619 S/N
HB1F0-619 S/N

U/Price: 610.00



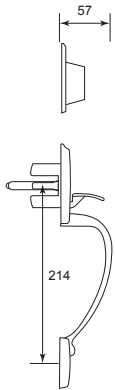
HB1F7-609 A/B
HB1F0-609 A/B

U/Price: 602.00



HB1F7-616 A/C
HB1F0-616 A/C

U/Price: 628.00



Solid Brass Entrance Handletset



HB247-505 PVD
HB240-505 PVD

U/Price: 708.00



HB247-619 S/N
HB240-619 S/N

U/Price: 594.00



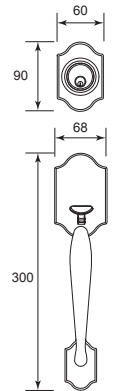
HB247-609 A/B
HB240-609 A/B

U/Price: 586.00



HB247-616 A/C
HB240-616 A/C

U/Price: 610.00



HB27F7-505 PVD
HB2F0-505 PVD

U/Price: 724.00



HB27F7-619 S/N
HB2F0-619 S/N

U/Price: 610.00



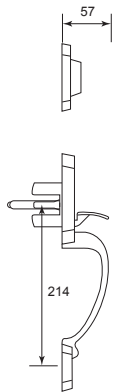
HB27F7-609 A/B
HB2F0-609 A/B

U/Price: 602.00

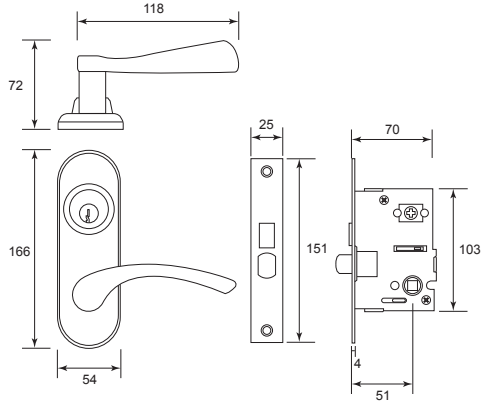


HB27F7-616 A/C
HB2F0-616 A/C

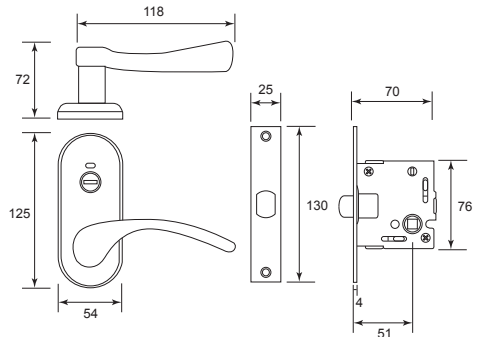
U/Price: 628.00



Solid Brass Japanese Mortise



*Door thickness 32 - 51mm



*Door thickness 32 - 51mm

Solid Brass Japanese Mortise



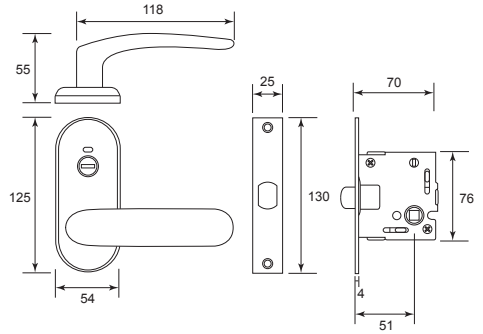
JB2182-609 A/B PASSAGE
JB2182-619 S/N PASSAGE

U/Price: 367.00



JB2130-609 A/B PRIVACY
JB2130-619 S/N PRIVACY

U/Price: 376.00



*Door thickness 32 - 51mm

Merchandise Stand

