

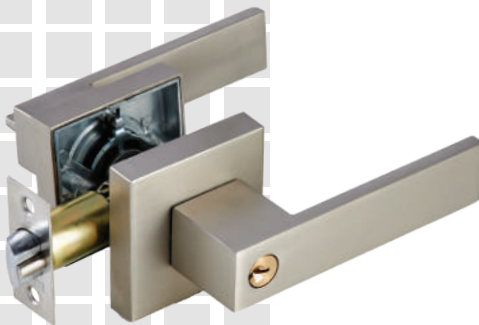
LX2 GP 101 SERIES

LX3 - LX5 GX SERIES

LX6 ADVANTAGES

MERCHANDISE DISPLAY

LX7 STEPS OF CHANGING SIDE

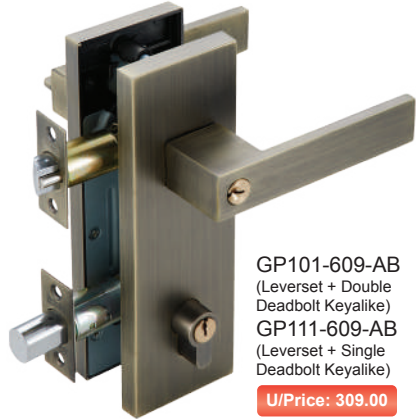


Double Protection Security Lever Set



GP101-619-SN
(Leverset + Double
Deadbolt Keylike)
GP111-619-SN
(Leverset + Single
Deadbolt Keylike)

U/Price: 309.00

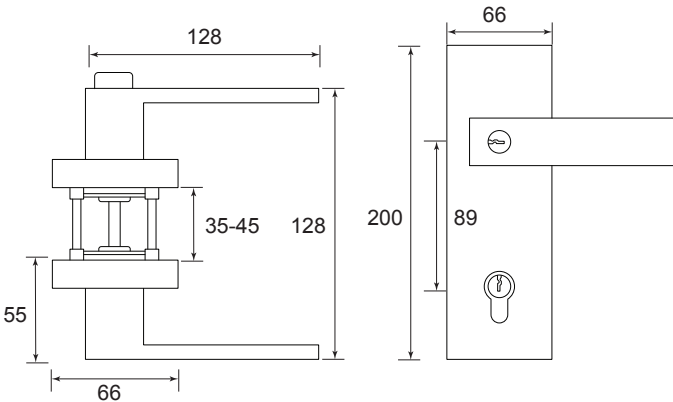


GP101-609-AB
(Leverset + Double
Deadbolt Keylike)
GP111-609-AB
(Leverset + Single
Deadbolt Keylike)

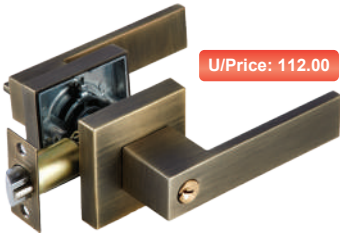
U/Price: 309.00

SPECIFICATIONS:

- Application : Residential single and multi-family doors.
- Certifications : Produce according to U.S. specifications.
- Exposed Trim : Wrought brass or Zinc Alloy.
- Keying : Schlage C Keyway. Locks are keyed 5-pin.
- Door Range : 1 1/8" to 1 3/4" (35mm - 45mm) standard.
- Adjustable backset measuring 60 - 70mm.
- Able to replace or fit most of the locks.
- Panic function.
- Warranty : 3 year mechanical warranty.



Tubular Leverset



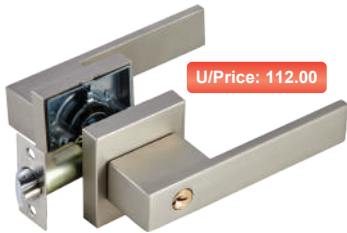
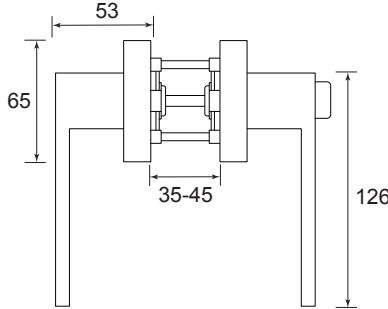
U/Price: 112.00

GX100-609-AB



SPECIFICATIONS:

- Application : Residential single and multi-family doors.
- Certifications : Produce according to U.S. specifications.
- Exposed Trim : Wrought brass or Zinc Alloy.
- Keying : Schlage C Keyway. Locks are keyed 5-pin.
- Door Range : 1 3/8" to 1 3/4" (35mm - 45mm) standard.
- Adjustable backset measuring 60 - 70mm.
- Able to replace or fit most of the locks.
- Panic function.
- Warranty : 3 year mechanical warranty.



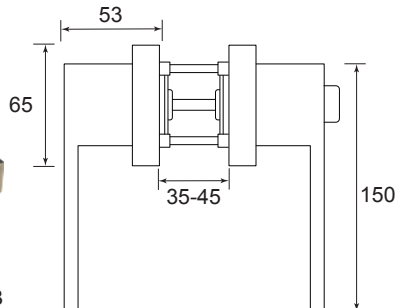
U/Price: 112.00

GX300-619-SN



SPECIFICATIONS:

- Application : Residential single and multi-family doors.
- Certifications : Produce according to U.S. specifications.
- Exposed Trim : Wrought brass or Zinc Alloy.
- Keying : Schlage C Keyway. Locks are keyed 5-pin.
- Door Range : 1 3/8" to 1 3/4" (35mm - 45mm) standard.
- Adjustable backset measuring 60 - 70mm.
- Able to replace or fit most of the locks.
- Panic function.
- Warranty : 3 year mechanical warranty.



U/Price: 112.00

GX300-609-AB

Tubular Leverset



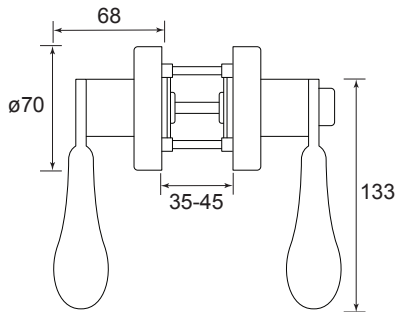
U/Price: 112.00

GX400-619-SN



SPECIFICATIONS:

- Application : Residential single and multi-family doors.
- Certifications : Produce according to U.S. specifications.
- Exposed Trim : Wrought brass or Zinc Alloy.
- Keying : Schlage C Keyway. Locks are keyed 5-pin.
- Door Range : 1 $\frac{1}{8}$ " to 1 $\frac{1}{4}$ " (35mm - 45mm) standard.
- Adjustable backset measuring 60 - 70mm.
- Able to replace or fit most of the locks.
- Panic function.
- Warranty : 3 year mechanical warranty.



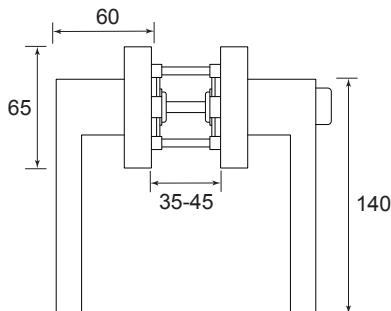
U/Price: 112.00

GX500-619-SN



SPECIFICATIONS:

- Application : Residential single and multi-family doors.
- Certifications : Produce according to U.S. specifications.
- Exposed Trim : Wrought brass or Zinc Alloy.
- Keying : Schlage C Keyway. Locks are keyed 5-pin.
- Door Range : 1 $\frac{1}{8}$ " to 1 $\frac{1}{4}$ " (35mm - 45mm) standard.
- Adjustable backset measuring 60 - 70mm.
- Able to replace or fit most of the locks.
- Panic function.
- Warranty : 3 year mechanical warranty.



U/Price: 112.00 GX500-609-AB

Tubular Leverset



U/Price: 112.00

GX600-619-SN

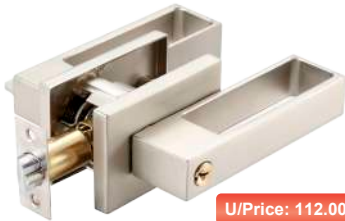
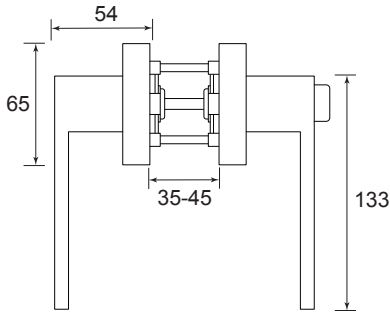


U/Price: 112.00

GX600-609-AB

SPECIFICATIONS:

- Application : Residential single and multi-family doors.
- Certifications : Produce according to U.S. specifications.
- Exposed Trim : Wrought brass or Zinc Alloy.
- Keying : Schlage C Keyway. Locks are keyed 5-pin.
- Door Range : 1 $\frac{3}{8}$ " to 1 $\frac{3}{4}$ " (35mm - 45mm) standard.
- Adjustable backset measuring 60 - 70mm.
- Able to replace or fit most of the locks.
- Panic function.
- Warranty : 3 year mechanical warranty.



U/Price: 112.00

GX700-619-SN

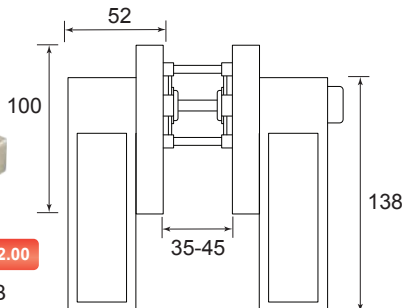


U/Price: 112.00

GX700-609-AB

SPECIFICATIONS:

- Application : Residential single and multi-family doors.
- Certifications : Produce according to U.S. specifications.
- Exposed Trim : Wrought brass or Zinc Alloy.
- Keying : Schlage C Keyway. Locks are keyed 5-pin.
- Door Range : 1 $\frac{3}{8}$ " to 1 $\frac{3}{4}$ " (35mm - 45mm) standard.
- Adjustable backset measuring 60 - 70mm.
- Able to replace or fit most of the locks.
- Panic function.
- Warranty : 3 year mechanical warranty.



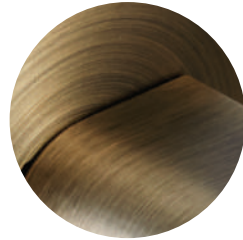
Advantages



No Sagging



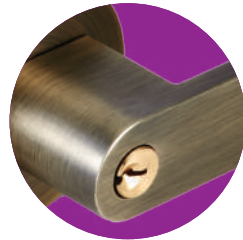
Concealed Screws



Special Color



Panic Function



Basic Master Key System

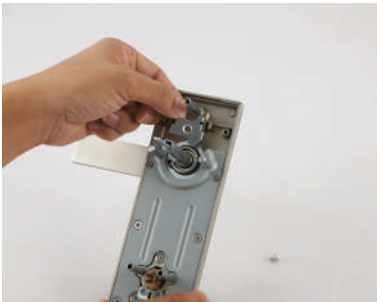
Merchandise Display



STEPS OF CHANGING SIDE



STEP 1
Unscrew the stamp part.



STEP 2
Remove it and place aside.



STEP 3
Turn the handle to opposite side.



STEP 4
Reverse the stamp part and tighten the screw.

