

- LG2 GY 100 SERIES
- LG3 GY 200 SERIES
- LG4 GY 300 SERIES
- LG5 GL 300 SERIES
- LG6 GL 400 SERIES
- LG7 GF 100 SERIES
- LG8 GF 200 SERIES
- LG9 GF 300 SERIES
- LG10 GF 400 SERIES
- LG11 GF 500 SERIES
- LG12 GF 600 SERIES
- LG13 GD 100 SERIES
- LG14 GD 101 SERIES
- LG15 GD 102 SERIES
- LG16 MERCHANDISE DISPLAY

ADVANTAGES

Cylindrical Knobset



GY100-605 PB

U/Price: 65.00

SPECIFICATIONS:

- Application : Residential single and multi-family doors.
- Certifications : Produce according to U.S. specifications.
- Exposed Trim : Wrought brass or Stainless Steel.
- Keying : Schlage C Keyway. Locks are keyed 5-pin.
- Door Range : 1¼" to 2" (32mm - 50mm) standard.
- Backset : 2¾" (60mm). 2¾" (70mm) Upon Request.
- Warranty : 3 year mechanical warranty.



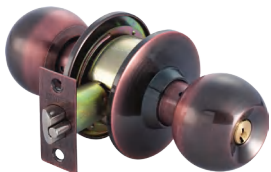
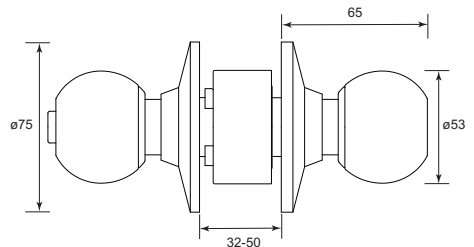
GY100-630 SS

U/Price: 65.00



GY100-609 AB

U/Price: 65.00



GY100-616 AC

U/Price: 65.00



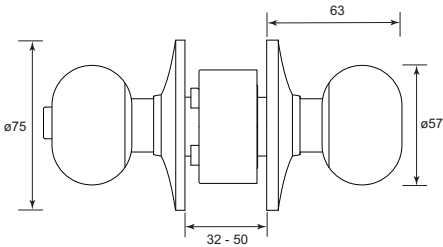
CL-L70-6

U/Price: 14.00

Cylindrical Knobset

SPECIFICATIONS:

- Application : Residential single and multi-family doors.
- Certifications : Produce according to U.S. specifications.
- Exposed Trim : Wrought brass or Stainless Steel.
- Keying : Schlage C Keyway. Locks are keyed 5-pin.
- Door Range : 1¼" to 2" (32mm - 50mm) standard.
- Backset : 2¾" (60mm).
- Warranty : 3 year mechanical warranty.



GY200H-616 AC

U/Price: 65.00



GY200H-609 AB

U/Price: 65.00

Cylindrical Knobset



GY300-605 PB

U/Price: 50.00

SPECIFICATIONS:

- Application : Residential single and multi-family doors.
- Certifications : Produce according to U.S. specifications.
- Exposed Trim : Wrought brass or Stainless Steel.
- Keying : Schlage C Keyway. Locks are keyed 5-pin.
- Door Range : 1¼" to 1¾" (32mm - 45mm) standard.
- Backset : 2¾" (60mm)
- Warranty : 3 year mechanical warranty.



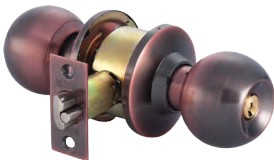
GY300-630 SS

U/Price: 50.00



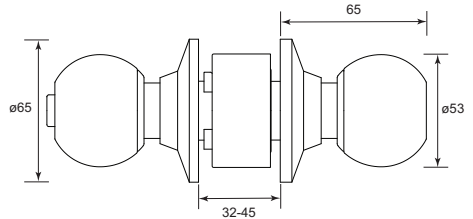
GY300-609 AB

U/Price: 50.00



GY300-616 AC

U/Price: 50.00



Tubular Knobset



GL300-605 PB

U/Price: 53.00

SPECIFICATIONS:

- Application : Residential single and multi-family doors.
- Certifications : Produce according to U.S. specifications.
- Exposed Trim : Wrought brass or Stainless Steel.
- Keying : Schlage C Keyway. Locks are keyed 5-pin.
- Door Range : 1¼" to 1¾" (32mm - 45mm) standard.
- Backset : Universal latch standard, fits either 2¾" (60mm) or 2¾" (70mm).
- Warranty : 3 year mechanical warranty.



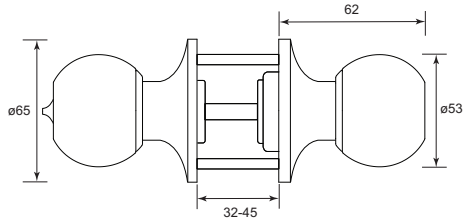
GL300-630 SS

U/Price: 53.00



GL300-609 AB

U/Price: 53.00



GL300-616 AC

U/Price: 53.00



GL300-622 MB

U/Price: 62.00

Tubular Knobset NEW



GL400L-605 PB

U/Price: 67.00

SPECIFICATIONS:

- Application : Residential single and multi-family doors.
- Certifications : Produce according to U.S. specifications.
- Exposed Trim : Wrought brass or Stainless Steel.
- Keying : Schlage C Keyway. Locks are keyed 5-pin.
- Door Range : 1¼" to 1¾" (32mm - 45mm) standard.
- Backset : Universal latch standard, fits either 2¾" (60mm) or 2¼" (70mm).
- Warranty : 3 year mechanical warranty.



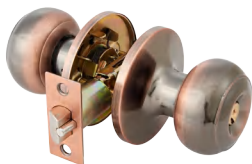
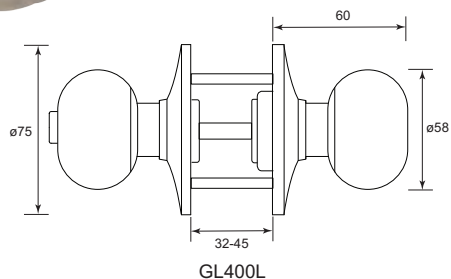
GL400L-630 SS

U/Price: 67.00



GL400L-609 AB

U/Price: 67.00



GL400L-616 AC

U/Price: 67.00

GF 100 SERIES

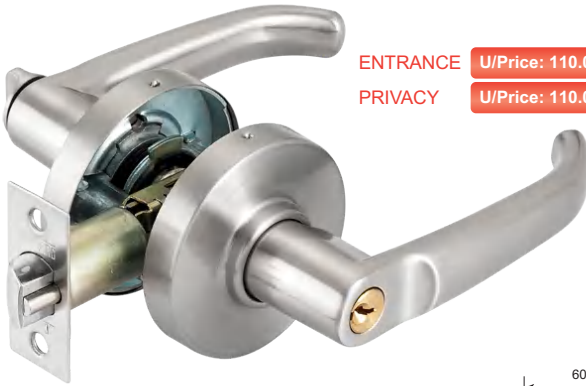
Tubular Leverset



GF100-605 PB

SPECIFICATIONS:

- Application : Residential single and multi-family doors.
- Certifications : Produce according to U.S. specifications.
- Exposed Trim : Wrought brass or Stainless Steel. Levers are zinc based plated to match finishes indicated.
- Keying : Schlage C Keyway. Locks are keyed 5-pin.
- Door Range : 1 $\frac{3}{8}$ " to 1 $\frac{3}{4}$ " (35mm - 45mm) standard.
- Backset : Universal latch standard, fits either 2 $\frac{3}{8}$ " (60mm) or 2 $\frac{3}{4}$ " (70mm).
- Warranty : 3 year mechanical warranty.



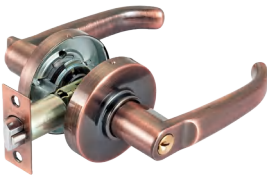
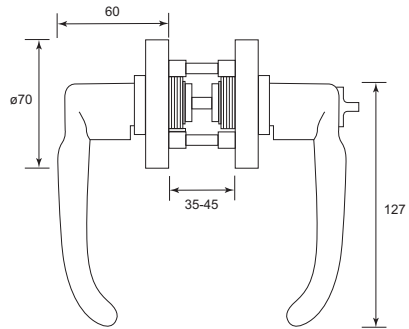
GF100-619 SN

ENTRANCE U/Price: 110.00

PRIVACY U/Price: 110.00

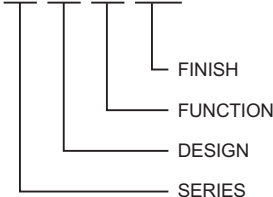


GF100-609 AB



GF100-616 AC

GF 1 00 619 S/N



FUNCTION & FINISH

ENTRANCE	00
PRIVACY	10
FUNCTION	619 S/N
DESIGN	605 P/B
	609 A/B
	616 A/C

Tubular Leverset



GF200-605 PB



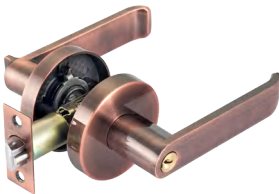
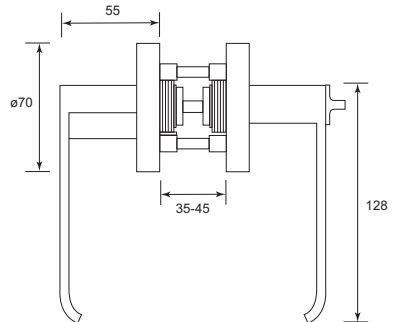
GF200-619 SN

ENTRANCE U/Price: 115.00

PRIVACY U/Price: 115.00

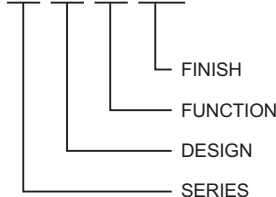


GF200-609 AB



GF200-616 AC

GF 2 00 619 S/N



FUNCTION & FINISH

ENTRANCE	00
PRIVACY	10
619 S/N	
605 P/B	
609 A/B	
616 A/C	

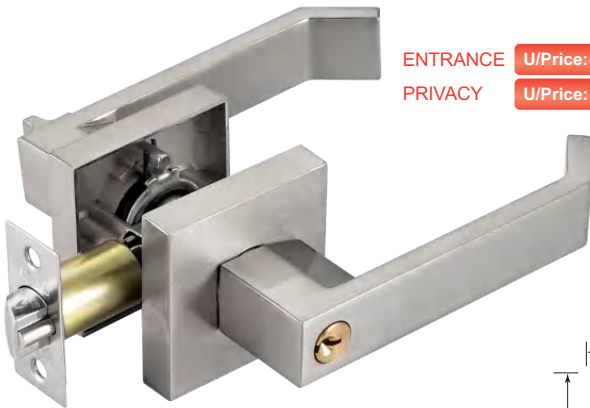
Tubular Leverset



GF300-605 PB

SPECIFICATIONS:

- Application : Residential single and multi-family doors.
- Certifications : Produce according to U.S. specifications.
- Exposed Trim : Wrought brass or Stainless Steel.
- Levers are zinc based plated to match finishes indicated.
- Keying : Schlage C Keyway. Locks are keyed 5-pin.
- Door Range : 1 3/8" to 1 3/4" (35mm - 45mm) standard.
- Backset : Universal latch standard, fits either 2 3/8" (60mm) or 2 3/4" (70mm).
- Warranty : 3 year mechanical warranty.



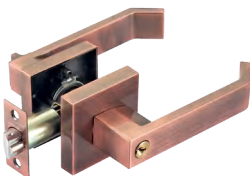
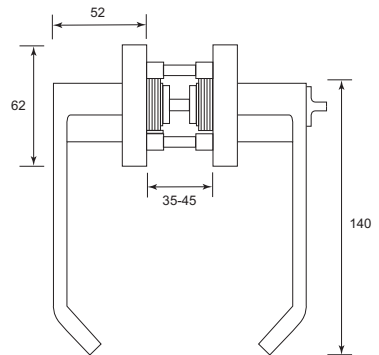
GF300-619 SN

ENTRANCE U/Price: 110.00

PRIVACY U/Price: 110.00

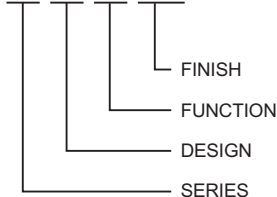


GF300-609 AB



GF300-616 AC

GF 3 00 619 S/N



FUNCTION & FINISH

ENTRANCE	00
PRIVACY	10
FINISH	619 S/N
FUNCTION	605 P/B
DESIGN	609 A/B
SERIES	616 A/C

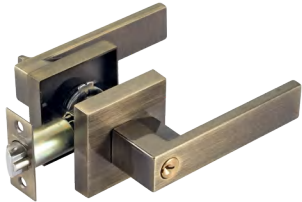
Tubular Leverset



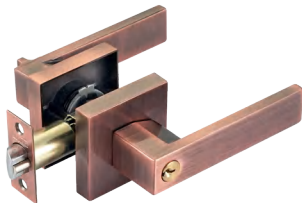
GF400-605 PB



GF400-619 SN



GF400-609 AB



GF400-616 AC



GF400-622 MB

SPECIFICATIONS:

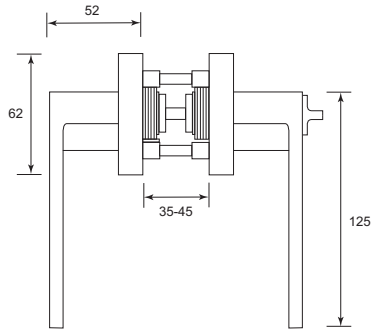
- Application : Residential single and multi-family doors.
- Certifications : Produce according to U.S. specifications.
- Exposed Trim : Wrought brass or Stainless Steel.
Levers are zinc based plated to match finishes indicated.
- Keying : Schlage C Keyway. Locks are keyed 5-pin.
- Door Range : 1 1/8" to 1 3/4" (35mm - 45mm) standard.
- Backset : Universal latch standard, fits either 2 3/8" (60mm) or 2 3/4" (70mm).
- Warranty : 3 year mechanical warranty.

ENTRANCE

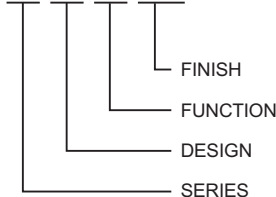
U/Price: 110.00

PRIVACY

U/Price: 110.00



GF 4 00 619 S/N



FUNCTION & FINISH

ENTRANCE	00
PRIVACY	10
619 S/N	
605 P/B	
609 A/B	
616 A/C	
622 M/B	

Tubular Leverset



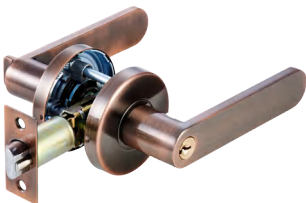
GF500-605 PB



GF500-619 SN



GF500-609 AB



GF500-616 AC



GF500-622 MB

SPECIFICATIONS:

- Application : Residential single and multi-family doors.
- Certifications : Produce according to U.S. specifications.
- Exposed Trim : Wrought brass or Stainless Steel.
Levers are zinc based plated to match finishes indicated.
- Keying : Schlage C Keyway. Locks are keyed 5-pin.
- Door Range : 1 1/8" to 1 3/4" (35mm - 45mm) standard.
- Backset : Universal latch standard, fits either 2 3/8" (60mm) or 2 3/4" (70mm).
- Warranty : 3 year mechanical warranty.

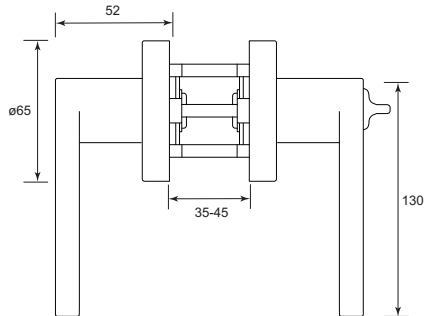


ENTRANCE

U/Price: 110.00

PRIVACY

U/Price: 110.00



ENTRANCE

U/Price: 125.00

PRIVACY

U/Price: 125.00

GF 5 00 619 S/N

FINISH

FUNCTION

DESIGN

SERIES

FUNCTION & FINISH

ENTRANCE 00
PRIVACY 10

619 S/N

605 P/B

609 A/B

616 A/C

622 M/B

Tubular Leverset



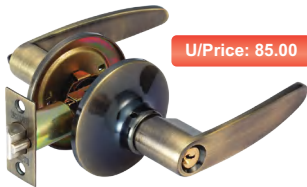
U/Price: 85.00

GF600-605 PB



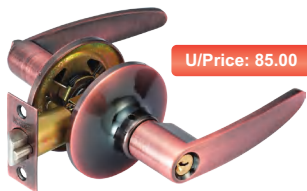
U/Price: 85.00

GF600-619 SN



U/Price: 85.00

GF600-609 AB



U/Price: 85.00

GF600-616 AC

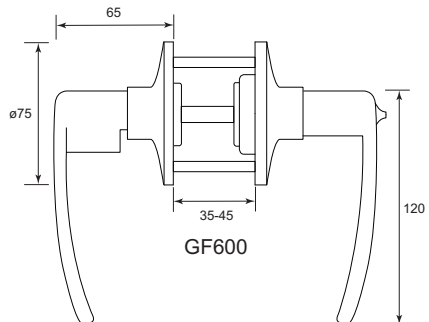
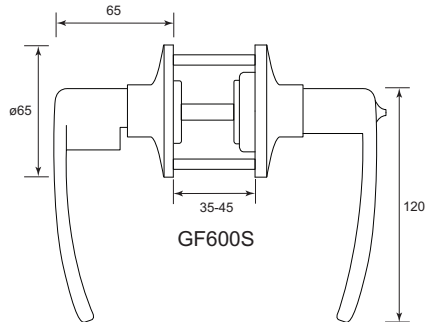


U/Price: 76.00

GF600S-619 SN
GF610S-619 SN (Privacy)

SPECIFICATIONS:

- Application : Residential single and multi-family doors.
- Certifications : Produce according to U.S. specifications.
- Exposed Trim : Wrought brass or Stainless Steel.
Levers are zinc based plated to match finishes indicated.
- Keying : Schlage C Keyway. Locks are keyed 5-pin.
- Door Range : 1 $\frac{1}{8}$ " to 1 $\frac{3}{4}$ " (35mm - 45mm) standard.
- Backset : Universal latch standard, fits either 2 $\frac{3}{8}$ " (60mm) or 2 $\frac{3}{4}$ " (70mm).
- Warranty : 3 year mechanical warranty.



Keyless Deadbolt



GD100-605 PB

U/Price: 38.00

SPECIFICATIONS:

- Application : Residential single and multi-family doors.
- Certifications : Produce according to U.S. specifications.
- Exposed Trim : Wrought brass or Stainless Steel.
- Door Range : 1 1/8" to 1 3/4" (28mm - 45mm) standard.
- Backset : Universal latch standard, fits either 2 3/8" (60mm) or 2 3/4" (70mm) backsets.
- Warranty : 3 year mechanical warranty.



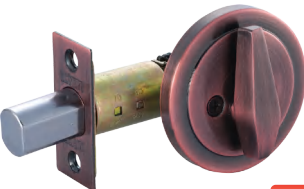
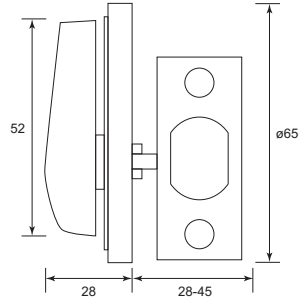
GD100-630 SS

U/Price: 38.00



GD100-609 AB

U/Price: 38.00



GD100-616 AC

U/Price: 38.00



GD100-622 MB

U/Price: 45.00

Single Deadbolt



GD101-605 PB

U/Price: 52.00

SPECIFICATIONS:

- Application : Residential single and multi-family doors.
- Certifications : Produce according to U.S. specifications.
- Exposed Trim : Wrought brass or Stainless Steel.
- Keying : Schlage C Keyway. Locks are keyed 5-pin.
- Door Range : 1 1/8" to 1 3/4" (35mm - 45mm) standard.
- Backset : Universal latch standard, fits either 2 3/4" (60mm) or 2 1/4" (70mm) backsets.
- Warranty : 3 year mechanical warranty.



GD101-630 SS

U/Price: 52.00



GD101-609 AB

U/Price: 52.00



GD101-616 AC

U/Price: 52.00

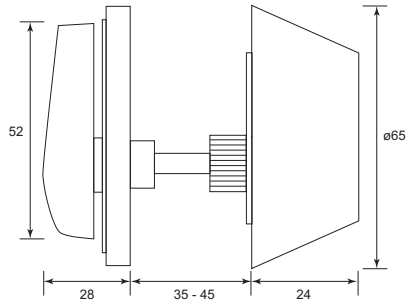


GD101-622 MB

U/Price: 60.00



1. Solid brass key cylinder to prevent key cylinder knock out



Double Deadbolt



GD102-605 PB

U/Price: 75.00

SPECIFICATIONS:

- Application : Residential single and multi-family doors.
- Certifications : Produce according to U.S. specifications.
- Exposed Trim : Wrought brass or Stainless Steel.
- Keying : Schlage C Keyway. Locks are keyed 5-pin.
- Door Range : 1 3/8" to 1 3/4" (35mm - 45mm) standard.
- Backset : Universal latch standard, fits either 2 3/4" (60mm) or 2 1/4" (70mm) backsets.
- Warranty : 3 year mechanical warranty.



GD102-630 SS

U/Price: 75.00



GD102-609 AB

U/Price: 75.00

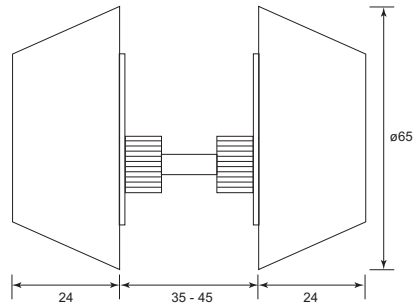


GD102-616 AC

U/Price: 75.00



1. Solid brass key cylinder to prevent key cylinder knock out





ADVANTAGES



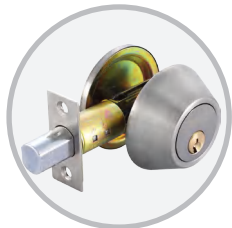
Knob Set GY100



Knob Set GY300



Knob Set GL300



Deadbolt

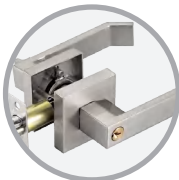
- Using Stainless Steel SUS 304 material to prevent corrosion
- Recommended for basic master key system



GF100



GF200



GF300



GF400



GF500

- No sagging
- Made with the high quality raw material
- Recommended for basic master key system