

AT2 - AT5 EXPOSED DOOR CLOSER

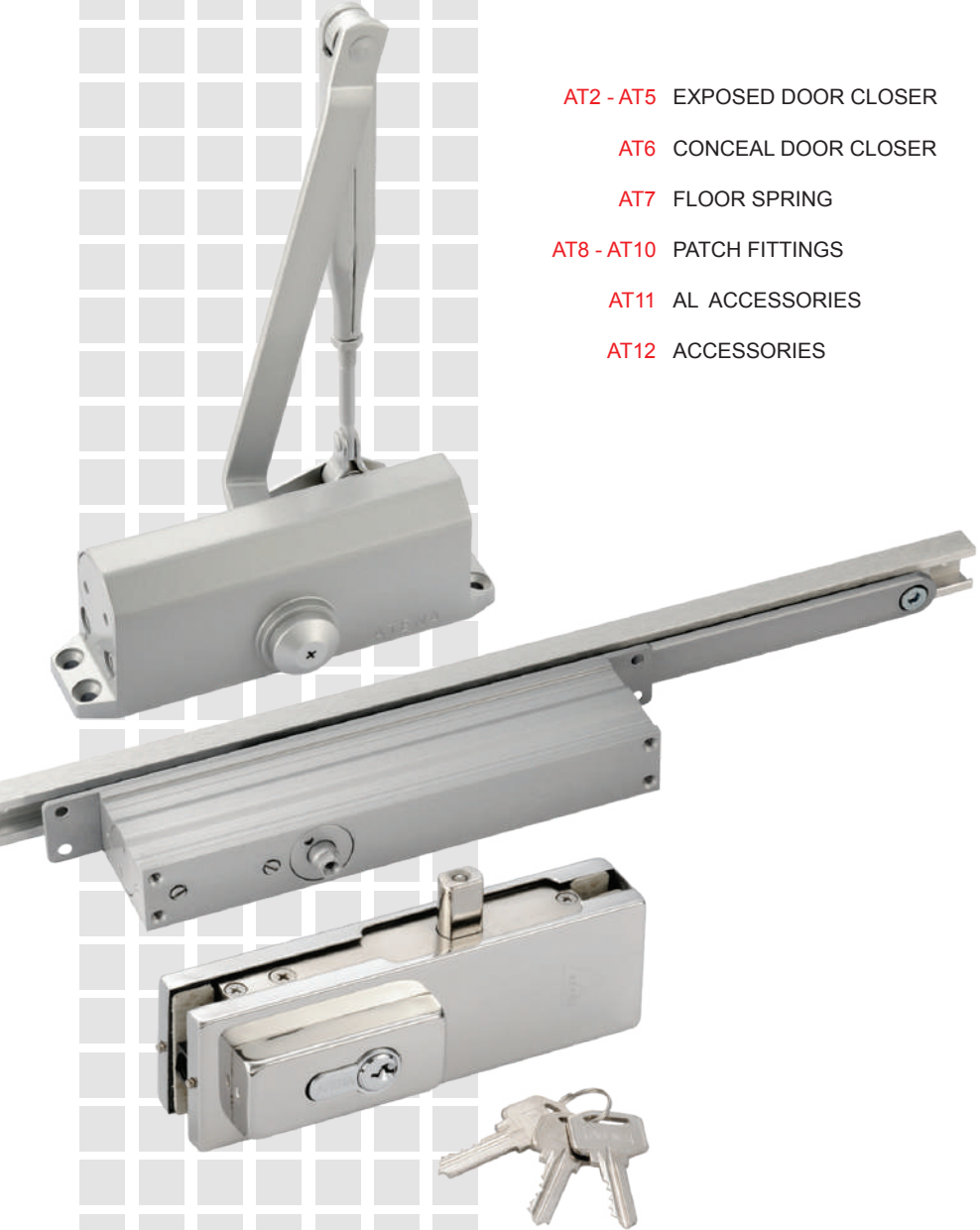
AT6 CONCEAL DOOR CLOSER

AT7 FLOOR SPRING

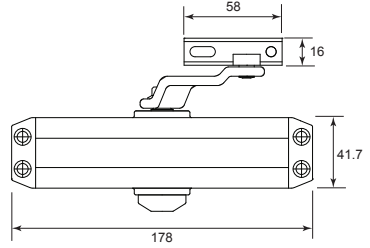
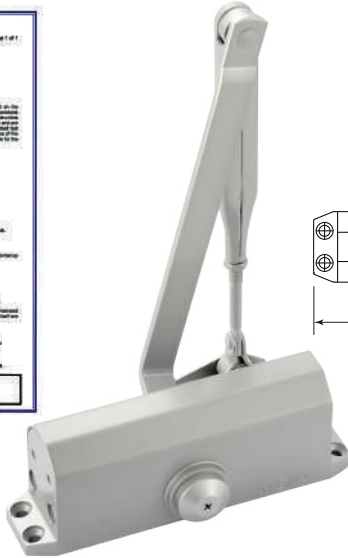
AT8 - AT10 PATCH FITTINGS

AT11 AL ACCESSORIES

AT12 ACCESSORIES



ATENA 78



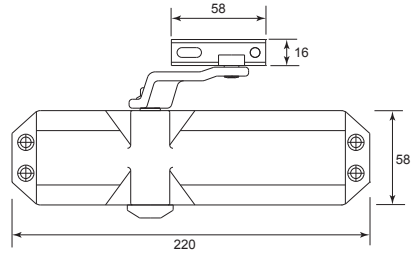
U/Price: 198.00



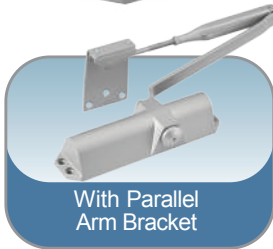
Specifications & Features

| | | | | |
|--------------------------------------|------------|--|-------|--------|
| Closing Force - Spring Strength (EN) | | 2 to 4 (By Position) | | |
| Application | | Non Handed | | |
| Standard Installation Door Width | | 850mm to 1100mm | | |
| Maximum Door Weight | | 80kg | | |
| Arm Type - Standard | | Snap On | | |
| Closing Speed Angle | | 15° - 180° degrees. Adjustable by valve | | |
| Latching Speed Angle | | 0° - 15° degrees. Adjustable by valve | | |
| Door Opening Angle | | 180° degrees | | |
| Back Check | | Optional / Adjustable | | |
| Slide Arm Option | | Optional | | |
| Hold Open by Project Arm | | Optional | | |
| Hold Open by Slide Arm | | Optional | | |
| Finish | | Standard Silver (Oven Process) Optional: White, Dark Brown and Gold | | |
| Dimension | Length | 178mm | | |
| | Height | 41.7mm | | |
| | Projection | 64mm | | |
| Technical Data | | EN2 | EN3 | EN4 |
| Maximum Door Width | | 850mm | 950mm | 1100mm |
| Maximum Door Weight | | 35kg | 60kg | 80kg |

ATENA 88



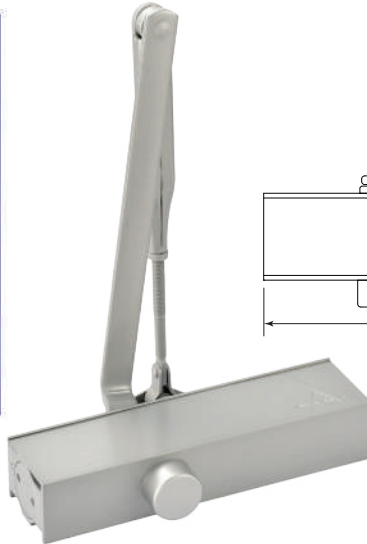
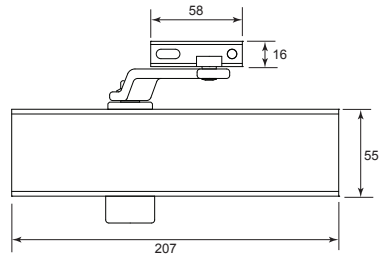
U/Price: 225.00



Specifications & Features

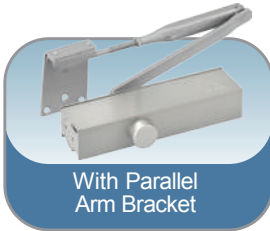
| | | | | |
|--------------------------------------|------------|--|-------|--------|
| Closing Force - Spring Strength (EN) | | 2 to 4 (By Position) | | |
| Application | | Non Handed | | |
| Standard Installation Door Width | | 850mm to 1100mm | | |
| Maximum Door Weight | | 80kg | | |
| Arm Type - Standard | | Snap On | | |
| Closing Speed Angle | | 15° - 180° degrees. Adjustable by valve | | |
| Latching Speed Angle | | 0° - 15° degrees. Adjustable by valve | | |
| Door Opening Angle | | 180° degrees | | |
| Back Check | | Optional / Adjustable | | |
| Slide Arm Option | | Optional | | |
| Hold Open by Project Arm | | Optional | | |
| Hold Open by Slide Arm | | Optional | | |
| Finish | | Standard Silver (Oven Process) Optional: White, Dark Brown and Gold | | |
| Dimension | Length | 220mm | | |
| | Height | 58mm | | |
| | Projection | 42mm | | |
| Technical Data | | EN2 | EN3 | EN4 |
| Maximum Door Width | | 850mm | 950mm | 1100mm |
| Maximum Door Weight | | 35kg | 60kg | 80kg |

ATENA 980 Series



ATENA 983 EN3

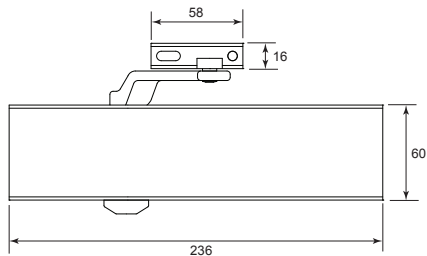
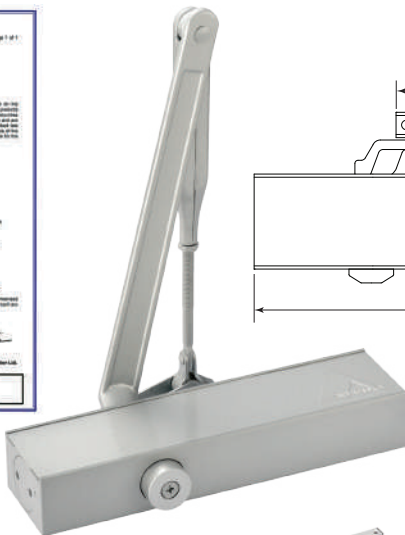
U/Price: 324.00



Specifications & Features

| | | | | |
|--------------------------------------|------------|--|-------|--------|
| Closing Force - Spring Strength (EN) | | Fixed Size from 2 to 4 | | |
| Application | | Non Handed | | |
| Standard Installation Door Width | | 850mm to 1100mm | | |
| Maximum Door Weight | | 80kg | | |
| Arm Type - Standard | | Snap On | | |
| Closing Speed Angle | | 15° - 180° degrees. Adjustable by valve | | |
| Latching Speed Angle | | 0° - 15° degrees. Adjustable by valve | | |
| Door Opening Angle | | 180° degrees | | |
| Back Check | | Optional / Adjustable | | |
| Slide Arm Option | | Optional | | |
| Hold Open by Project Arm | | Optional | | |
| Hold Open by Slide Arm | | Optional | | |
| Finish | | Standard Silver (Oven Process) Optional: White, Dark Brown and Gold | | |
| Dimension | Length | 207mm | | |
| | Height | 55mm | | |
| | Projection | 40mm | | |
| Technical Data | | EN2 | EN3 | EN4 |
| Maximum Door Width | | 850mm | 950mm | 1100mm |
| Maximum Door Weight | | 35kg | 60kg | 80kg |

ATENA 28A (2-5)



Without Hold Open Arm

U/Price: 630.00



Specifications & Features

| | | | | | |
|--------------------------------------|------------|--|-------|--------|--------|
| Closing Force - Spring Strength (EN) | | Adjustable spring power from 2 to 5 | | | |
| Application | | Non Handed | | | |
| Standard Installation Door Width | | 850mm to 1250mm | | | |
| Maximum Door Weight | | 110kg | | | |
| Arm Type - Standard | | Forged Snap On | | | |
| Closing Speed Angle | | 15° - 180° degrees. Adjustable by valve | | | |
| Latching Speed Angle | | 0° - 15° degrees. Adjustable by valve | | | |
| Door Opening Angle | | 180° degrees | | | |
| Back Check | | Adjustable | | | |
| Delay Action | | Optional - 1 to 40 seconds | | | |
| Slide Arm Option | | Optional | | | |
| Hold Open by Project Arm | | Optional | | | |
| Hold Open by Slide Arm | | Optional | | | |
| Finish | | Standard Silver (Oven Process) Optional: White, Dark Brown and Gold | | | |
| Dimension | Length | 236mm | | | |
| | Height | 60mm | | | |
| | Projection | 38.5mm | | | |
| Technical Data | | EN2 | EN3 | EN4 | EN5 |
| Maximum Door Width | | 850mm | 950mm | 1100mm | 1250mm |
| Maximum Door Weight | | 45kg | 60kg | 80kg | 110kg |

ATENA 450 Series

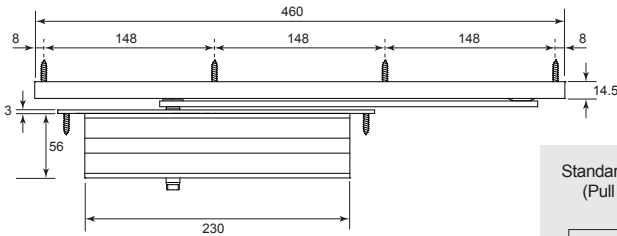


ATENA 453 EN3

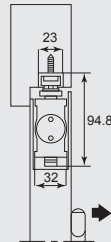
U/Price: 648.00

ATENA 454 EN4

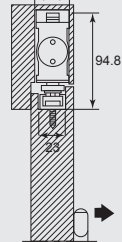
U/Price: 684.00



Standard Mount
(Pull Side)



Top Jamb
(Push Side)



Specifications & Features

| | | | | |
|--------------------------------------|------------|---|-------|--------|
| Closing Force - Spring Strength (EN) | | Fixed Size from 2 to 4 | | |
| Application | | Non Handed / Double Action | | |
| Standard Installation Door Width | | 850mm to 1100mm | | |
| Maximum Door Weight | | 80kg | | |
| Door Thickness Requirement | | Minimum 42mm | | |
| Arm Type - Standard | | Slide Arm | | |
| Closing Speed Angle | | 15° - 105° degrees. Adjustable by valve | | |
| Latching Speed Angle | | 0° - 15° degrees. Adjustable by valve | | |
| Door Opening Angle | | 105° degrees | | |
| Back Check | | Optional | | |
| Hold Open | | Hold Open Range Up to 100° degrees | | |
| Finish | | Standard Silver (Oven Process) Optional: SSS, PSS & Custom | | |
| Dimension | Length | 230mm | | |
| | Height | 56mm | | |
| | Projection | 32mm | | |
| Technical Data | | EN2 | EN3 | EN4 |
| Maximum Door Width | | 850mm | 950mm | 1100mm |
| Maximum Door Weight | | 45kg | 60kg | 80kg |

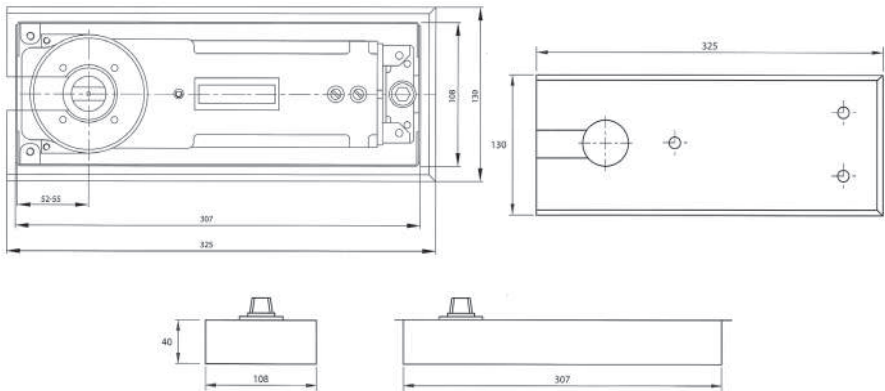
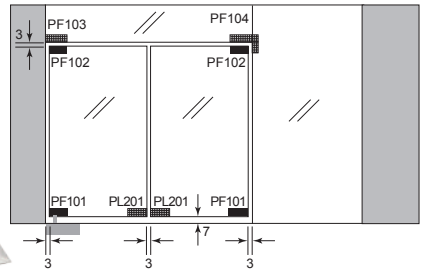
ATENA 680 Series



ATENA 683 EN3

U/Price: 774.00

Recommended clearances for glass door



Specifications & Features

| | | | | |
|---------------------------------------|--------|---|-------|--------|
| Closing Force - Spring Strength (EN3) | | Fixed Size from 2 - 4 | | |
| Application | | Non Handed | | |
| Standard Installation Door Width | | 850mm - 1100mm | | |
| Maximum Door Weight | | 150kg | | |
| Closing Speed Angle | | 15° - 130° degrees. Adjustable by valve | | |
| Latching Speed Angle | | 0° - 15° degrees. Adjustable by valve | | |
| Door Opening Angle | | 130° degrees | | |
| Back Check | | Optional | | |
| Hold Open | | 90° | | |
| Dimension | Length | 307mm | | |
| | Height | 40mm | | |
| | Width | 108mm | | |
| Technical Data | | EN2 | EN3 | EN4 |
| Maximum Door Width | | 850mm | 950mm | 1100mm |
| Maximum Door Weight | | 70kg | 105kg | 150kg |

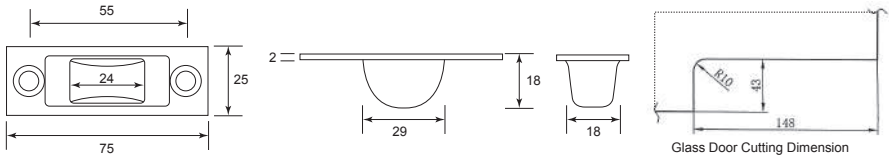
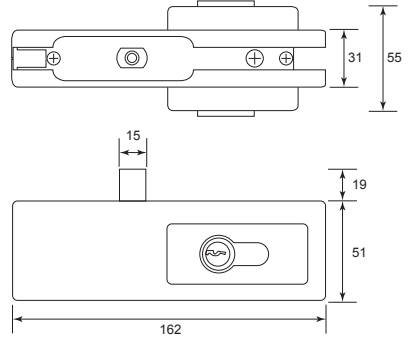
PF201 Bottom Patch Lock



U/Price: 270.00

Specifications & Features

- For glass thickness 10 - 12mm
- Suitable for left & right hand door
- For Profile Cylinder
- Finish : Polished stainless steel



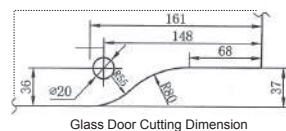
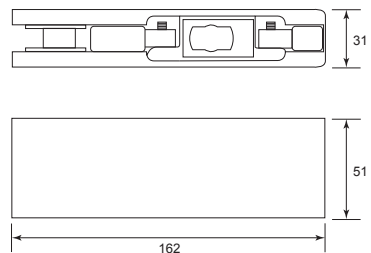
PF101 Bottom Patch Fittings



U/Price: 120.00

Specifications & Features

- For glass thickness 10 - 12mm
- Suitable for left & right hand door
- For double action door
- Finish : Polished stainless steel



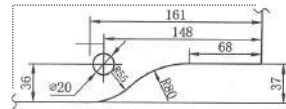
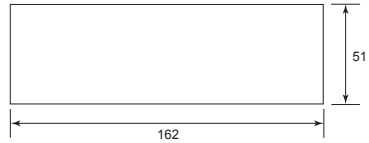
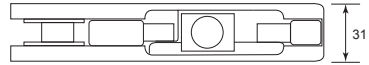
PF102 Patch Fittings



U/Price: 120.00

Specifications & Features

- For glass thickness 10 - 12mm
- Suitable for left & right hand door
- Finish : Polished stainless steel



Glass Door Cutting Dimension

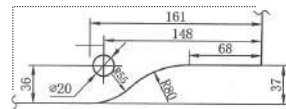
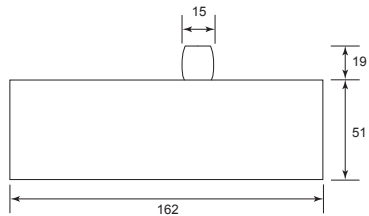
PF103 Top Pivot Patch Fitting



U/Price: 200.00

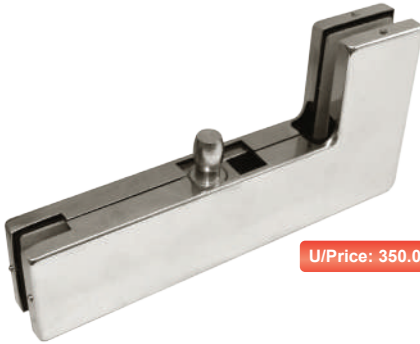
Specifications & Features

- For glass thickness 10 - 12mm
- Suitable for left & right hand door
- Finish : Polished stainless steel

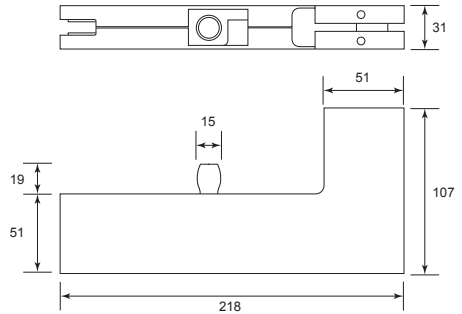


Glass Door Cutting Dimension

PF104 Top Pivot Corner Patch Fitting

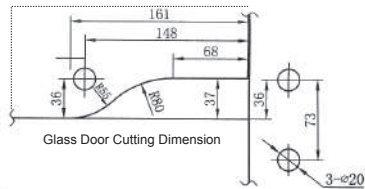


U/Price: 350.00



Specifications & Features

- For glass thickness 10 - 12mm
- Suitable for left & right hand door
- Finish : Polished stainless steel



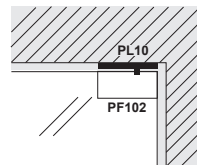
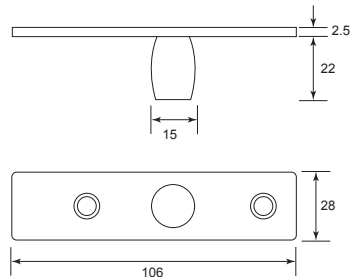
PL10 Top Pivot Plate



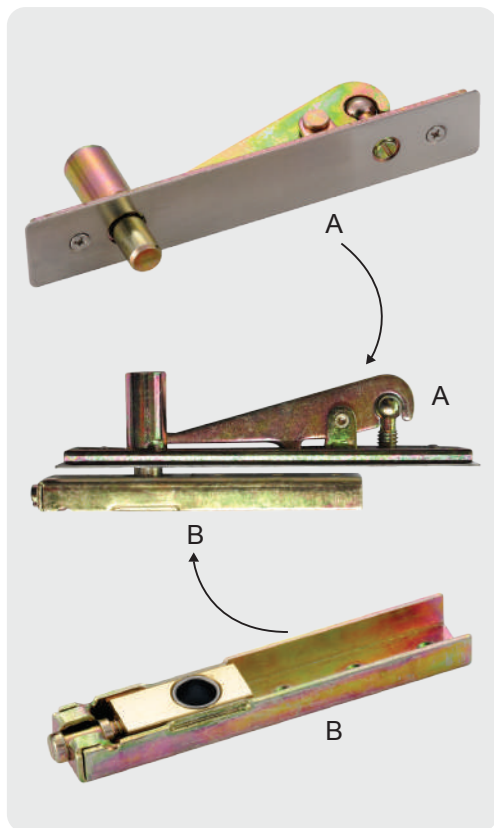
U/Price: 54.00

Specifications & Features

- Counter bearing for top patch fitting
- Suitable for left and right hand door



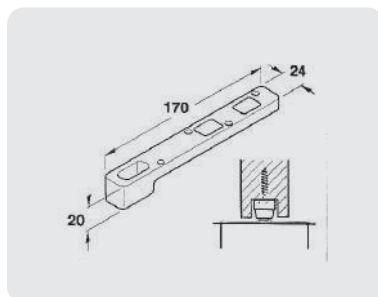
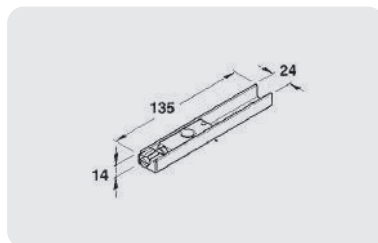
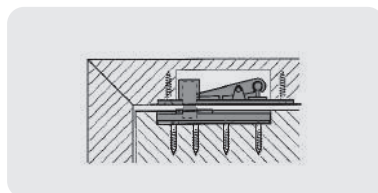
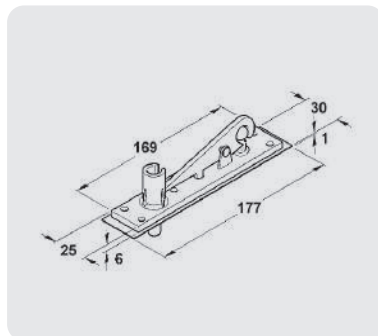
Top Pivot & Bottom Strap



U/Price: 192.00

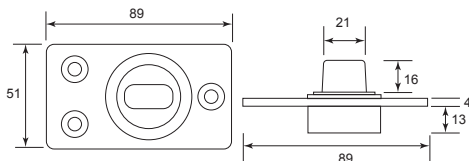


Installation method



PBG150 Bottom Pivot Bearing

- Maximum door leaf weight: 150kg
- D Type Spindle
- Finish: Satin Stainless Steel



U/Price: 360.00

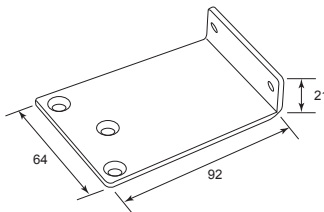


Parallel Arm Bracket

- Standard Finish: Silver Enamelled
- Optional Finish: SSS, PSS, Bronze & Brass



U/Price: 45.00

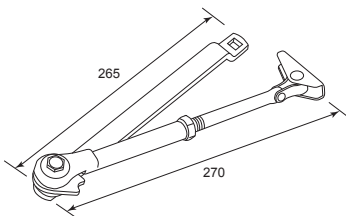


Hold Open Arm

- Adjustable arm for exposed closer.
- Standard Finish: Silver Enamelled
- Optional Finish: SSS, PSS, Bronze & Brass



U/Price: 192.00

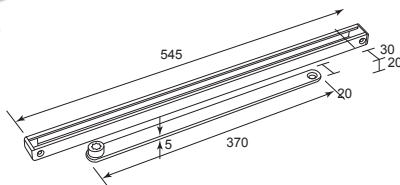


Slide Arm & Track

- Adjustable arm for exposed closer.
- Standard Finish: Silver Enamelled
- Optional Finish: SSS, PSS, Bronze & Brass



U/Price: 192.00



Finish: PSS (Polished Stainless Steel), SSS (Satin Stainless Steel)